



Manufactured by:  
 Backyard Discovery  
 3305 Airport Drive, Pittsburg, KS  
 66762 800-856-4445

Basepoint Business Centre: Rivermead Drive, Westlea, Swindon SN5 7EX Phone: 0800-118-2476  
 J.P. Coenstraat 7, The Bridge, The Hague, 2595 WP, Netherlands Phone: 08005678990

# 12x12 ARLINGTON GAZEBO

## MODEL # : 2206113



Please visit [www.backyarddiscovery.com](http://www.backyarddiscovery.com)  
 For the most up to date assembly manual, to register your product, or to order replacement parts *Para obtener instrucciones en español, visite* [www.backyarddiscovery.com](http://www.backyarddiscovery.com)



EASY STEP-BY-STEP  
 3D INTERACTIVE INSTRUCTIONS  
 DOWNLOAD THE FREE APP



INSTALLATION  
 SERVICES  
 AVAILABLE!  
 See inside for details

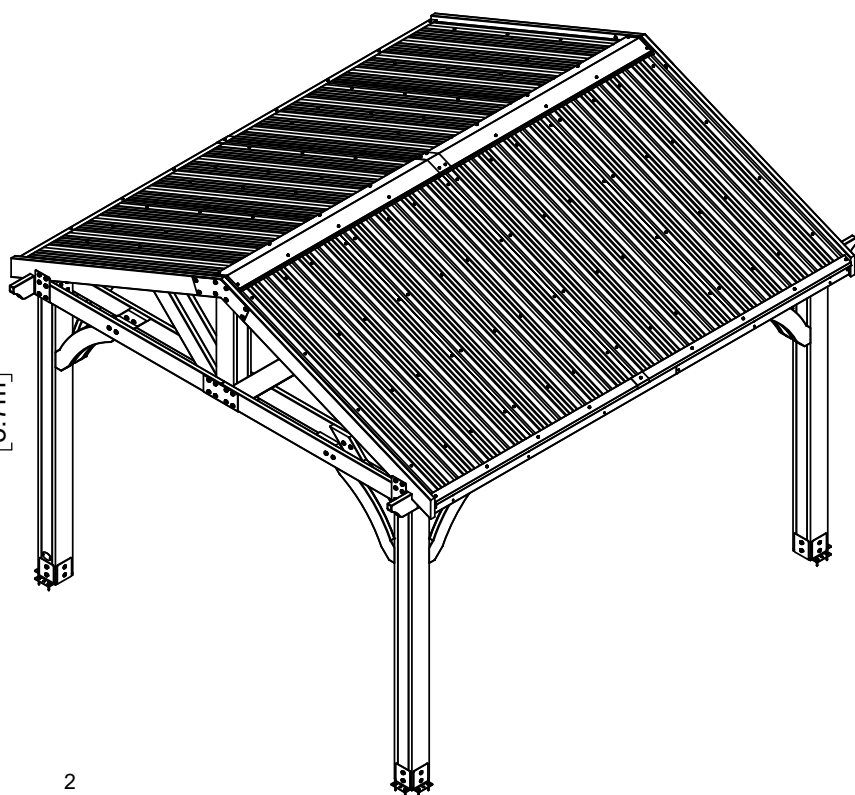
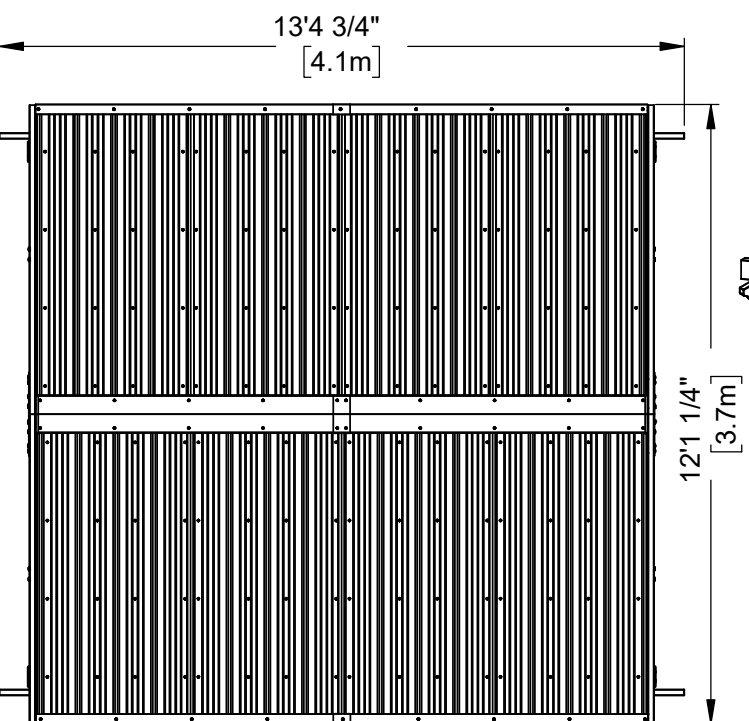
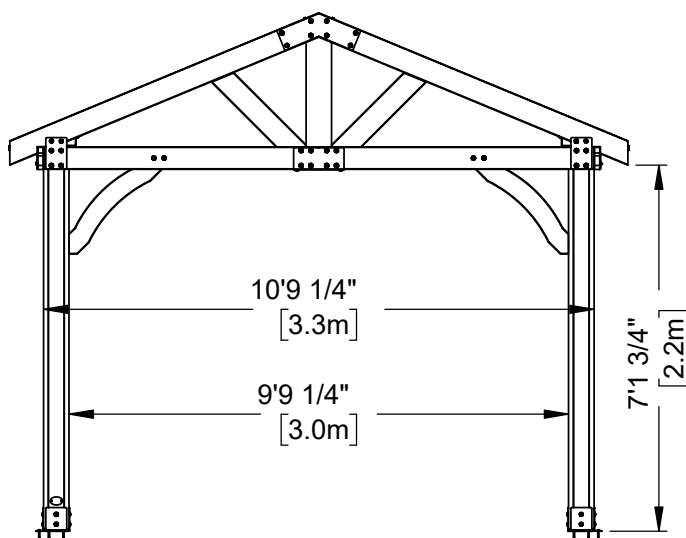
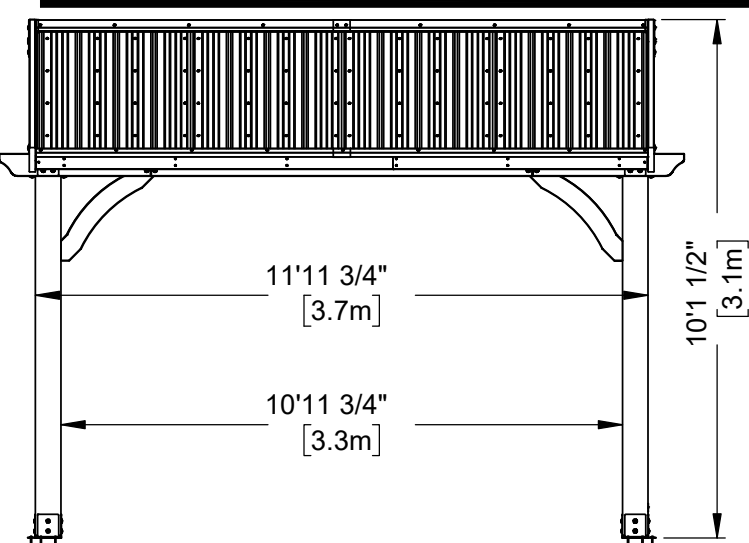
# OWNER'S MANUAL - BASIC SETUP DIMENSIONS & ASSEMBLY NOTES

It is critically important that you start with square and level footings, concrete pad or deck to attach your structure

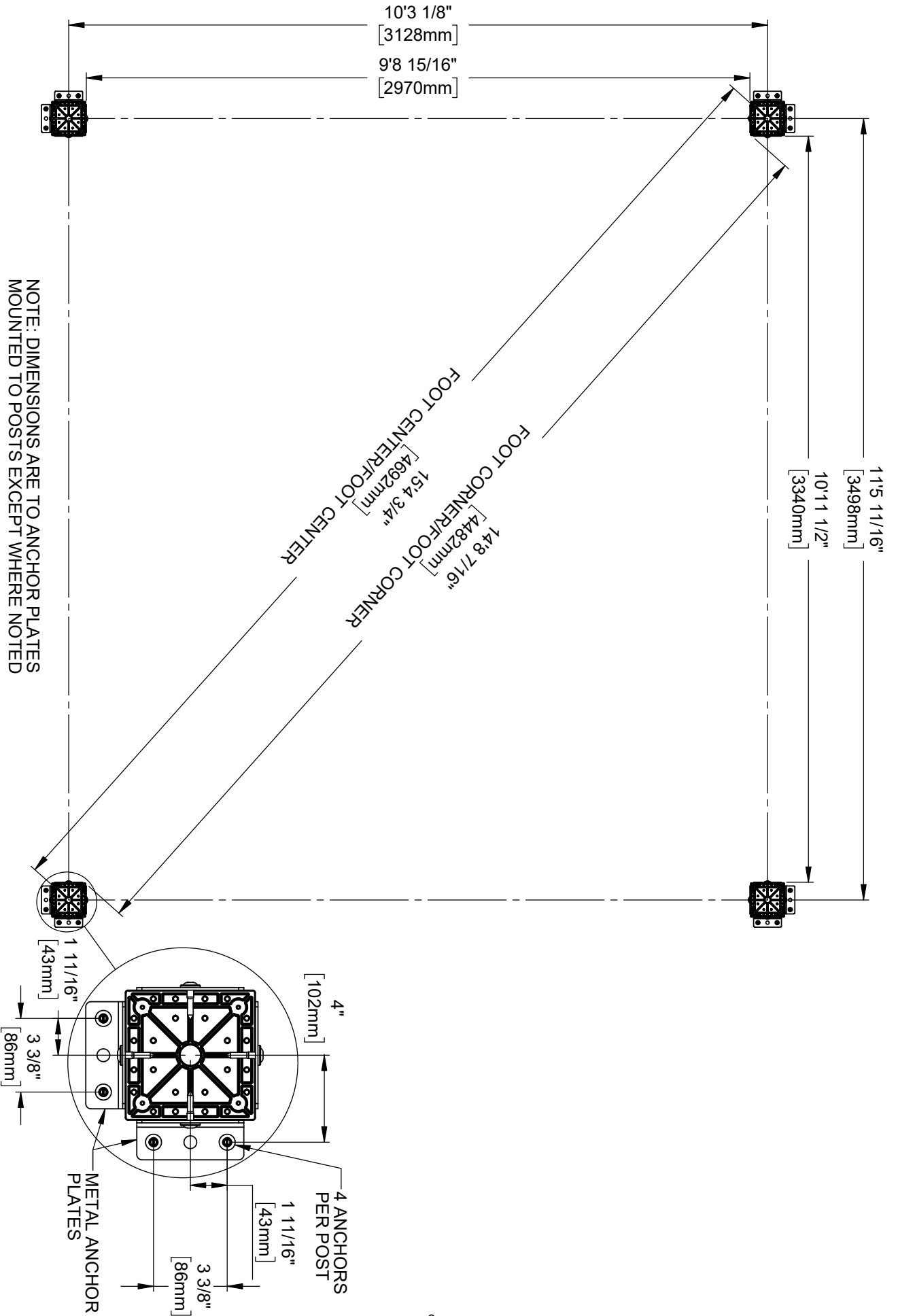
- Pay close attention to the items needed for each step. Make sure you are using the correct hardware for each step. Using incorrect hardware may result in improper assembly
- Remember to double check for underground utilities and overhead electrical lines

Post mounts are provided with your structure which allows you to permanently install your structure to a pre-existing or new wood or concrete surface. See Anchor Instructions for further details and recommendations.

- The hardware to attach the post mounts to the structure is included.
- The hardware to mount the structure permanently to a concrete surface is included.
- The hardware to mount the structure permanently to a wood deck is NOT included and will need to be purchased separately. You must ensure there is ample structural support under the deck before permanently attaching.



# OWNER'S MANUAL - ANCHORING LAYOUT



# OWNER'S MANUAL - PARTS IDENTIFICATION

## Wood Components (Not to Scale)



**D1 | BEAM - W4L13661**  
(x2) | 1 3/8"x5 1/4"x89 1/2" (36x134x2274)



**D2 | BEAM - W4L13606**  
(x8) | 1 3/8"x5 1/4"x64 5/8" (36x134x1640)



**D3 | BEAM - W4L13596**  
(x4) | 1 3/8"x5 1/4"x35 5/8" (36x134x904)



**D4 | BEAM - W4L13660**  
(x4) | 1 3/8"x5 1/4"x67 1/4" (36x134x1707)



**D5 | ANGLE BRACE - W4L16839**  
(x4) | 1 3/8"x5 1/4"x30 1/4" (36x134x769)



**D6 | ANGLE BRACE - W4L13607**  
(x4) | 1 3/8"x5 1/4"x32 3/8" (36x134x823)



**D7 | ANGLE BRACE - W4L16840**  
(x8) | 1 3/8"x6 3/8"x36 7/8" (34x163x938)



**D8 | ANGLE BRACE - W4L16841**  
(x7) | 1 3/8"x6 3/8"x36 7/8" (34x163x938)



**CA01 | CORBEL WITH TAG - W2A03480**  
(x1) | 1 3/8"x6 3/8"x36 7/8" (34x163x938)



**E1 | OUTSIDE RAFTER - W4L13604**  
(x4) | 1 3/8"x3 3/8"x77 3/8" (36x86x1965)



**E2 | RAFTER - W4L13603**  
(x8) | 1 3/8"x3 3/8"x77 3/8" (36x86x1965)

# OWNER'S MANUAL - PARTS IDENTIFICATION

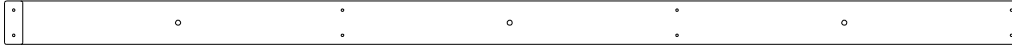
## Wood Components (Not to Scale)



**E3 | SHEATHING BOARD - W4L13659**  
(x8) | 1 3/8"x3 3/8"x58 1/4" (36x86x1478)



**E4 | SHEATHING BOARD - W4L13662**  
(x8) | 1 3/8"x3 3/8"x87 1/4" (36x86x2217)



**H1 | RAFTER - W4L13666**  
(x2) | 1"x3 3/8"x79 3/8" (24x86x2016)



**H2 | FASCIA - W4L13663**  
(x2) | 1"x3 3/8"x85 3/8" (24x86x2170)



**H4 | FASCIA - W4L13668**  
(x2) | 1"x3 3/8"x59 3/4" (24x86x1518)



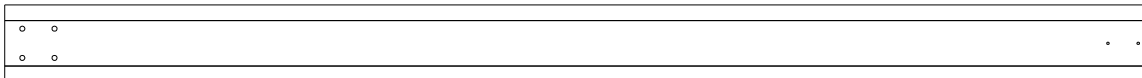
**H3 | RAFTER - W4L13667**  
(x2) | 1"x3 3/8"x53 11/16" (24x86x1364)



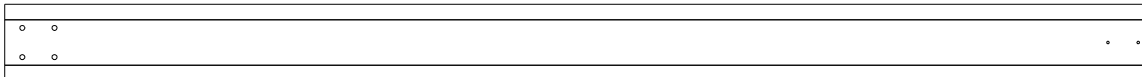
**J60 | RIDGE CAP STIFFENER - W4L17392**  
(x2) | 1"x2 3/8"x60 7/8" (24x60x1546)



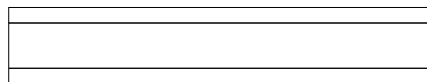
**J61 | RIDGE CAP STIFFENER - W4L17393**  
(x2) | 1"x2 3/8"x82 1/2" (24x60x2096)



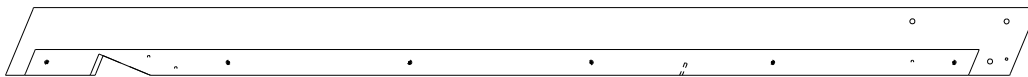
**P1 | POST - W2A03484**  
(x2) | 6"x6"x89 1/2" (152x152x2274)



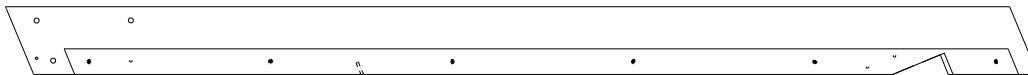
**P2 | POST - W2A03485**  
(x2) | 6"x6"x89 1/2" (152x152x2274)



**P3 | POST - W2A03021**  
(x2) | 6"x6"x33 1/4" (152x152x845)



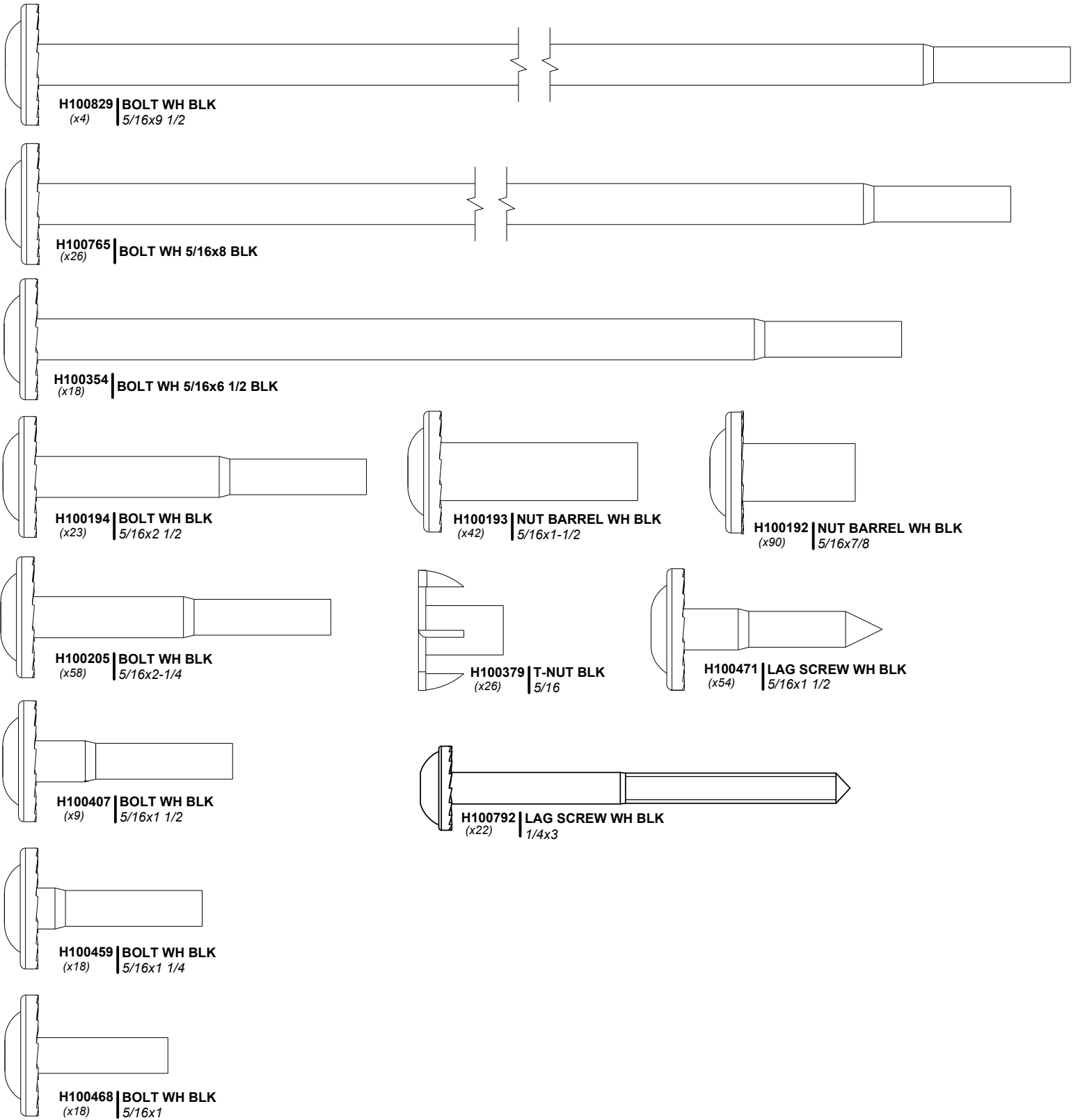
**RP1 | END RAFTER - W2A03020**  
(x2) | 2 13/16"x5 1/4"x80 5/8" (72x134x2048)



**RP2 | END RAFTER - W2A03022**  
(x2) | 2 13/16"x5"x80 5/8" (72x134x2048)

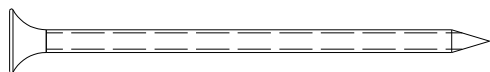
# OWNER'S MANUAL - PARTS IDENTIFICATION

## Hardware Components

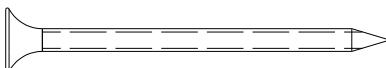


# OWNER'S MANUAL - PARTS IDENTIFICATION

## Hardware Components



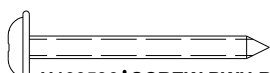
**H100201 | SCREW PFH BLK**  
(x4) | 8x2-1/2



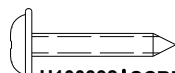
**H100391 | SCREW PFH BLK**  
(x92) | 8x2



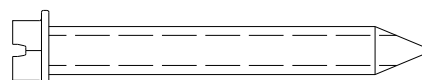
**H100200 | SCREW PFH BLK**  
(x33) | 8x1 1/2



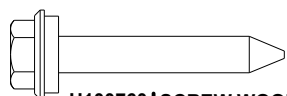
**H100536 | SCREW PWH BLK**  
(x44) | 8x1 1/4



**H100392 | SCREW PWH BLK**  
(x17) | 8x3/4



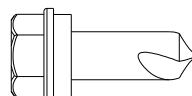
**H100120 | CONCRETE ANCHOR 1/4"x2"**  
(x18)



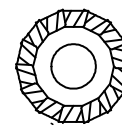
**H100760 | SCREW WOODGRIP**  
(x132) | 10x1 1/4



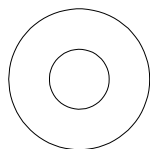
**H100833 | SCREW WOODGRIP**  
(x22) | 10x3/4



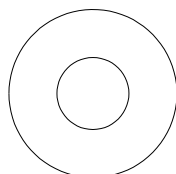
**H100759 | SCREW TAPPING**  
(x19) | 1/4x3/4



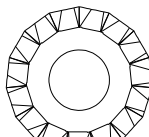
**H100405 | WASHER LOCK  
EXT BLK 6x15**  
(22)



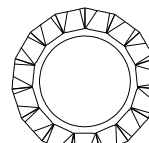
**H100630 | WASHER FLAT BLK**  
(x17) | 8x19



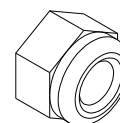
**H100770 | WASHER FLAT**  
(x10) | 5/16 BLK



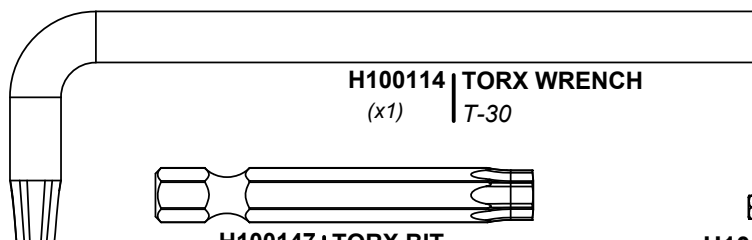
**H100198 | WASHER LOCK EXT BLK**  
(x97) | 8x19



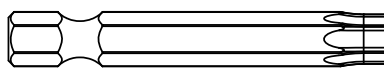
**H100199 | WASHER LOCK EXT BLK**  
(x108) | 12x19



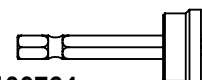
**H100479 | NUT LOCK BLK**  
(x10) | 5/16



**H100114 | TORX WRENCH**  
(x1) | T-30



**H100147 | TORX BIT**  
(x1) | T-30



**H100764 | SCREW SETTER**  
(x1)



**H101106 | HEX DRIVER**  
(x1) | 5/16



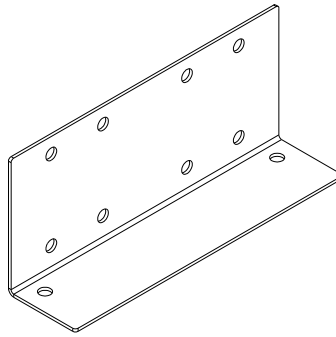
**H101100 | MAGNETIC DRIVER**  
(x1)

# OWNER'S MANUAL - PARTS IDENTIFICATION

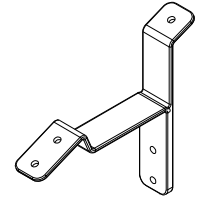
## Accessory Components (Not to Scale)



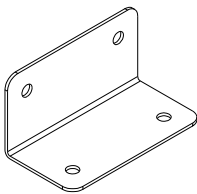
**A100241** | BYD ID TAG (SMALL) WITHOUT AGES  
(x1)



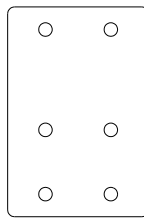
**A4M00972** | BRACKET  
(x4)



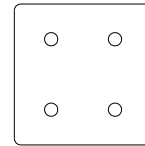
**A4M00961** | ROOF BRACKET  
(x8)



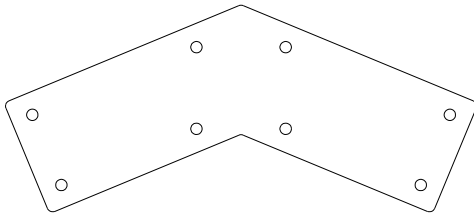
**A4M00619** | L BRACKET 66x66x127 - BLK  
(x4)



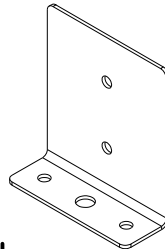
**A4M00974** | BRACKET  
(x4)



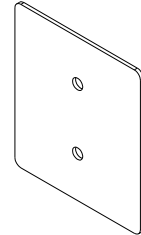
**A4M00979** | BRACKET  
(x4)



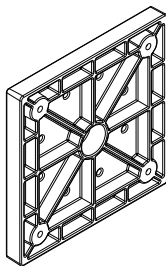
**A4M00973** | BRACKET  
(x2)



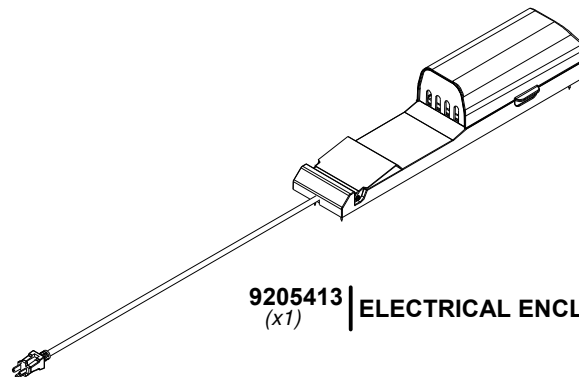
**A4M00977** | POST ANCHORING PLATE  
(x8)



**A4M00978** | POST PLATE  
(x8)



**A6P00308** | 6x6 POST FOOT  
(x4)

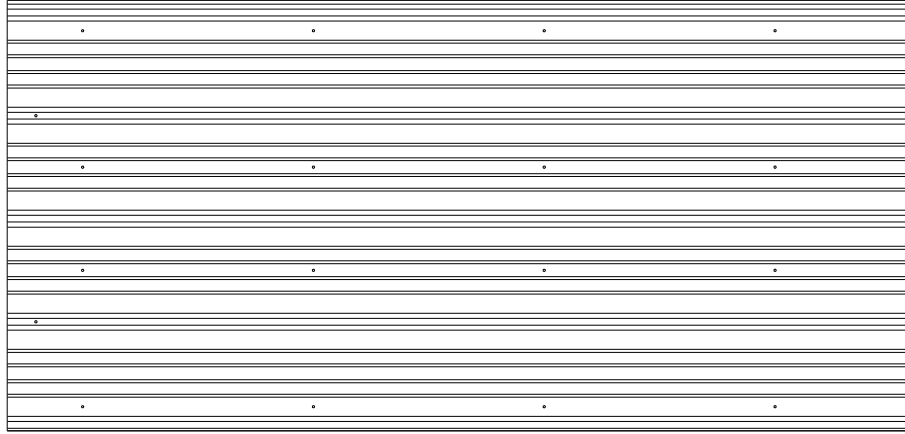


**9205413** | ELECTRICAL ENCLOSURE  
(x1)

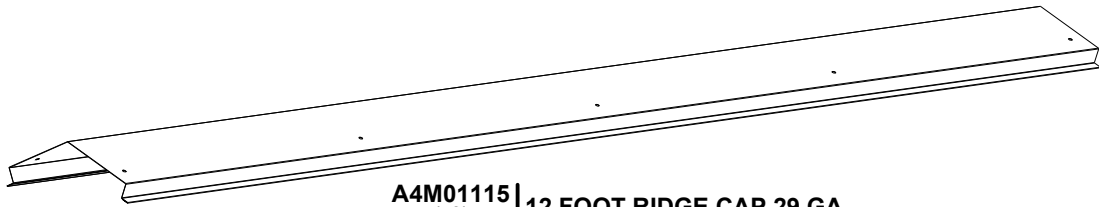


# OWNER'S MANUAL - PARTS IDENTIFICATION

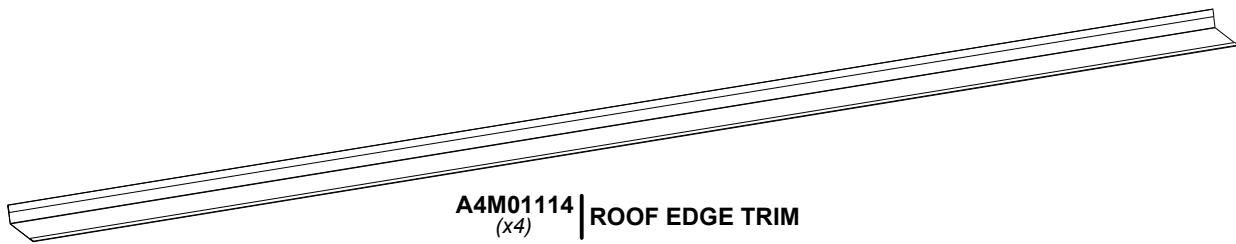
## Accessory Components (Not to Scale)



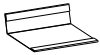
**A4M01125** | 29 GA STEEL SHEETING  
(x8)



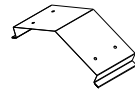
**A4M01115** | 12 FOOT RIDGE CAP 29 GA  
(x2)



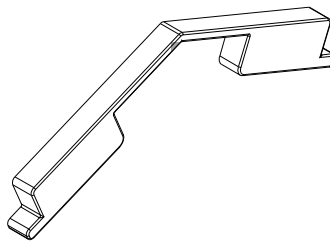
**A4M01114** | ROOF EDGE TRIM  
(x4)



**A4M00983** | ROOF EDGE TRIM SPLICE  
(x2)



**A4M01127** | RIDGE CAP SPLICE  
(x1)



**A6P00398** | RIDGE CAP PROTECTOR  
(x2)

# PRE-ASSEMBLY STEP 1 - SORTING PARTS

It is critical for ease of assembly that you take the time to sort and organize the wood and hardware.

---

## WOOD PARTS:

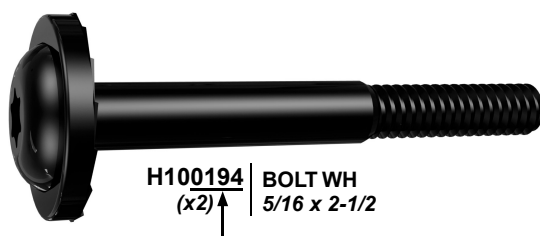
- Organize wood parts by the three-digit, alpha-numeric number stamped on each board (ex. P01).
- If there are multiple boards with the same stamped number, stack those pieces together.
- Stamps can be found on the flat surface of the boards or on the end of the boards.
- Allow yourself plenty of room - the wood pieces can take up a significant amount of space.

**NOTE: CARTONS ARE NOT ORGANIZED BY BOARD NUMBER.**



## HARDWARE PARTS:

- We recommend that you have a separate table to organize the hardware.
- Hardware bags are printed with a seven-digit, alpha-numeric part number.
- You can organize your hardware by part number or group by hardware type (i.e. bolts, nuts, etc.).
- During assembly you only need to reference the last four digits of the number.



H100194 | BOLT WH  
(x2) ↑ 5/16 x 2-1/2

# PRE-ASSEMBLY STEP 2 - TOOLS REQUIRED



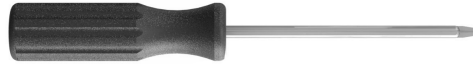
Cordless Drill  
or Electric Drill



Drill  
Attachments:  
Phillips Head



1/8", 3/16", 3/8" &  
7/16" Drill Bits



Phillips Screw Driver



Open End  
Wrenches 1/2" &  
9/16"



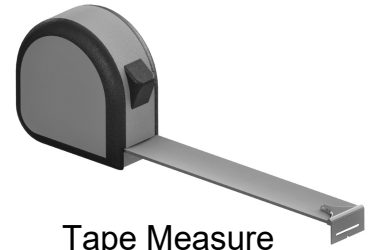
3/8" Drive Ratchet, 1/2" &  
7/16" STD Sockets 1/2" & 7/16"  
Deep Sockets



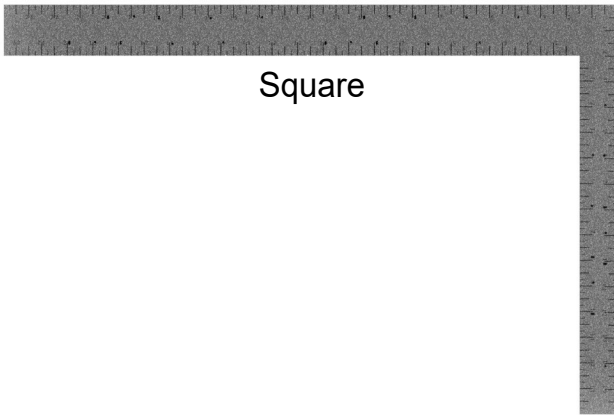
Claw Hammer



Rubber Mallet  
- Optional



Tape Measure



Square




Level 24"

# PRE-ASSEMBLY STEP 3 - CHOOSE YOUR ASSEMBLY METHOD

There are several types of assembly instructions available to you.

1. Printed Assembly Manual included with your set
2. BILT APP - 3D interactive instructions
3. Combination of the Printed Manual and BILT APP (Note: Step numbers can differ between the two methods)



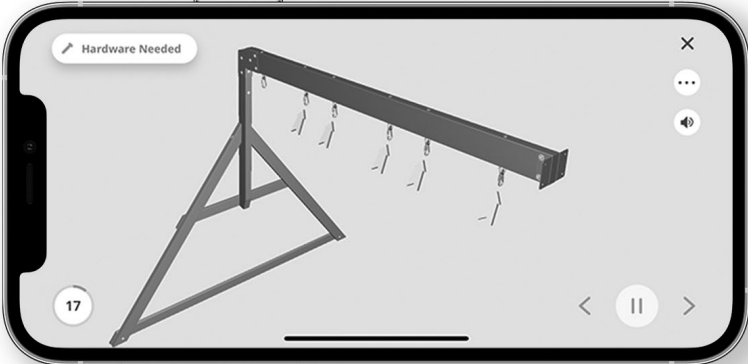
**BILT.**

Scan for easy  
**3D instructions**

Download the BILT app  
before you begin

Download on the  
App Store

GET IT ON  
Google Play



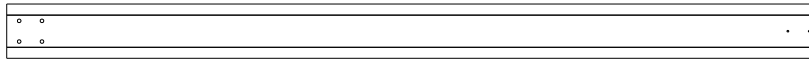
Hardware Needed

17

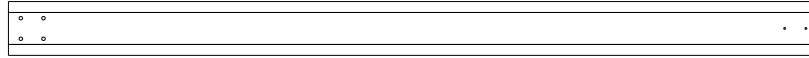
The image shows a smartphone screen displaying a 3D assembly instruction. The screen features a 3D model of a metal frame with a horizontal bar and several hanging components. A 'Hardware Needed' button is visible in the top left corner of the app interface. The step number '17' is shown in a circle at the bottom left. Navigation icons for back, play/pause, and forward are at the bottom right.

# STEP 1 - GAZEBO ASSEMBLY

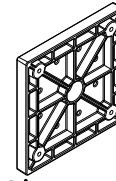
QTY	PART NUMBER	DESCRIPTION
16	H100200	SCREW PFH 8x1 1/2 BLK



**P1** | POST - W2A03484  
(x2) | 6"x6"x89 1/2" (152x152x2274)



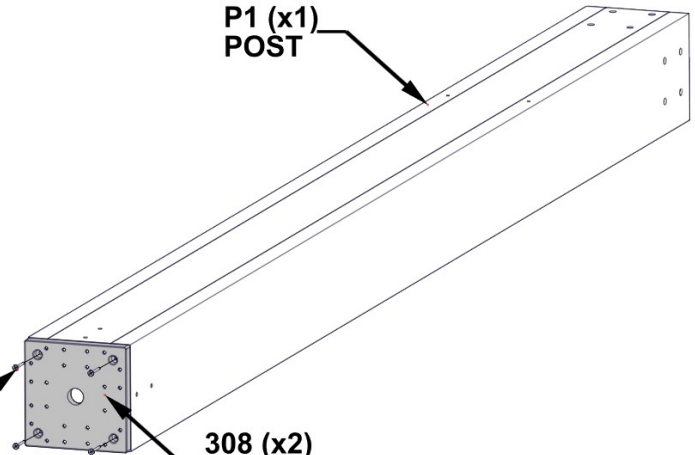
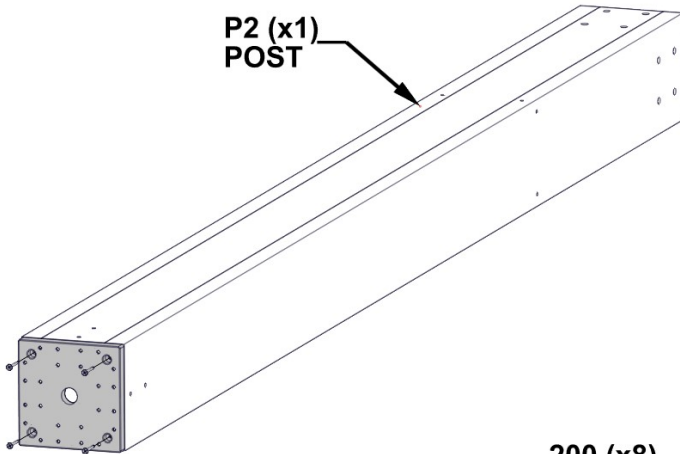
**P2** | POST - W2A03485  
(x2) | 6"x6"x89 1/2" (152x152x2274)



**A6P00308**  
(x4) | 6x6 POST FOOT

## COMPLETE THIS STEP TWICE.

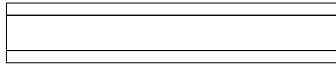
FOR EASE OF ASSEMBLY, WE RECOMMEND USING SAW HORSES FOR STEPS 1 - 4.



**ALIGN POST FOOT AND DRILL 1/8" PILOT HOLES FOR THE ATTACHMENT OF HARDWARE.**

# STEP 2 - GAZEBO ASSEMBLY

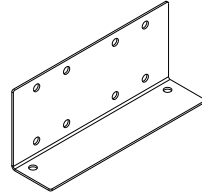
QTY	PART NUMBER	DESCRIPTION
8	H100471	LAG SCREW WH 5/16x1 1/2 BLK
8	H100198	WASHER LOCK EXT 8x19
24	H100193	NUT BARREL WH 5/16X1 1/2 BLK
24	H100765	BOLT WH 5/16x8 BLK



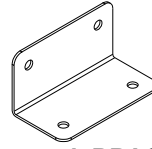
**P3 | POST - W2A03021**  
(x2) | 6"x6"x33 1/4" (152x152x845)



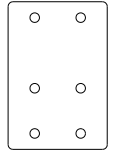
**D2 | BEAM - W4L13606**  
(x8) | 1 3/8"x5 1/4"x64 5/8" (36x134x1640)



**A4M00972 | BRACKET**  
(x4)



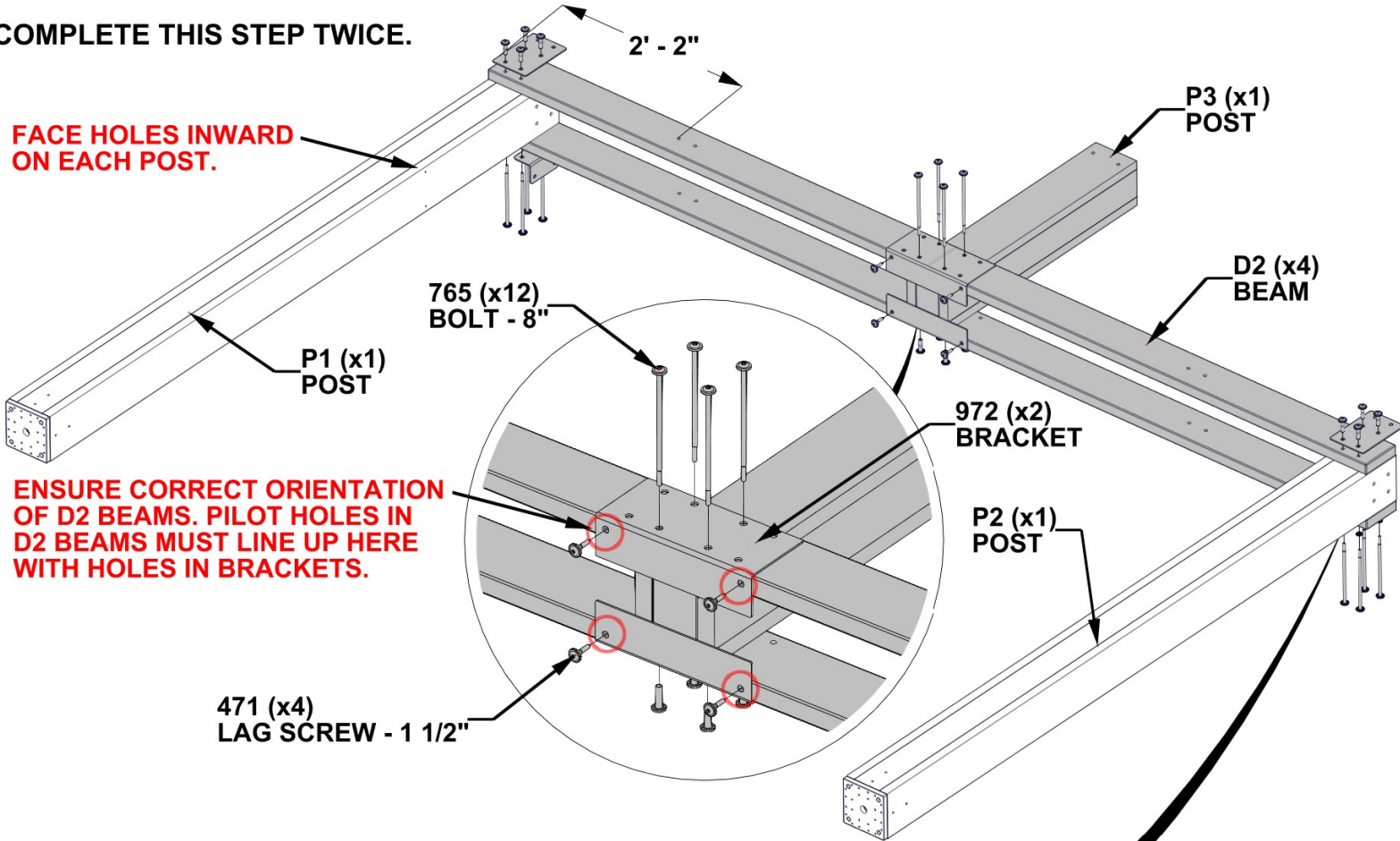
**A4M00619 | L BRACKET**  
(x4) | 66x66x127 - BLK



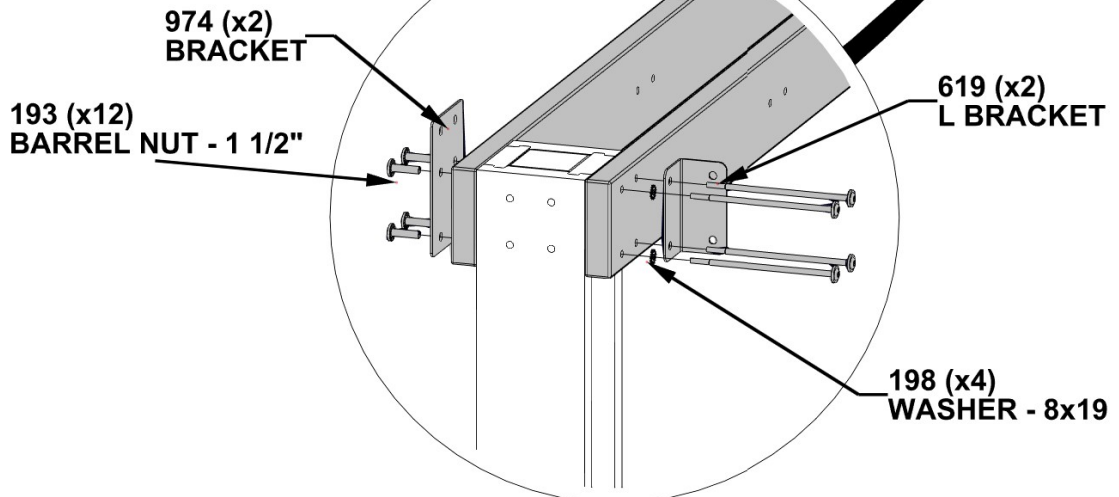
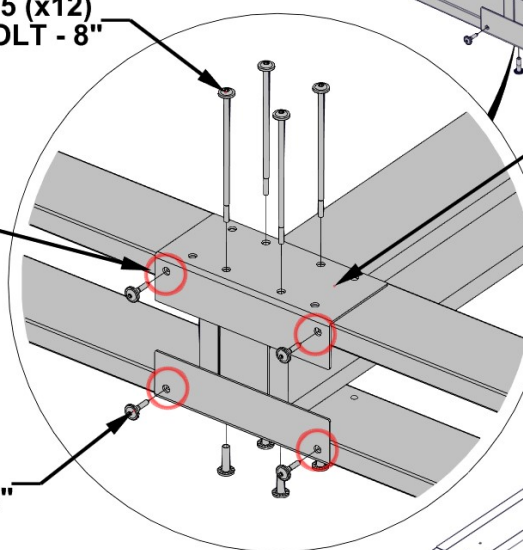
**A4M00974 | BRACKET**  
(x4)

COMPLETE THIS STEP TWICE.

FACE HOLES INWARD ON EACH POST.



ENSURE CORRECT ORIENTATION OF D2 BEAMS. PILOT HOLES IN D2 BEAMS MUST LINE UP HERE WITH HOLES IN BRACKETS.



# STEP 3 - GAZEBO ASSEMBLY

QTY	PART NUMBER	DESCRIPTION
8	H100792	LAG SCREW WH 1/4x3 BLK
8	H100405	WASHER LOCK EXT 6x15
16	H100192	NUT BARREL WH 5/16X7/8 BLK
16	H100205	BOLT WH 5/16x2 1/4 BLK
16	H100198	WASHER LOCK EXT 8x19
16	H100199	WASHER LOCK EXT 12x19

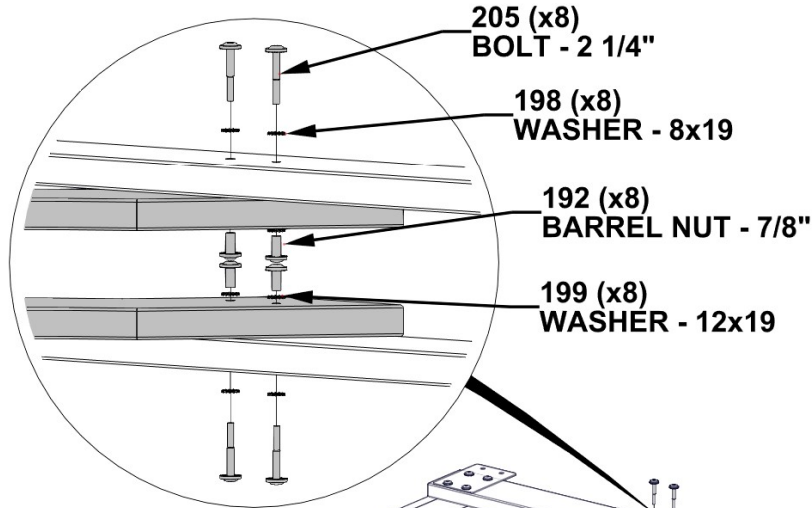


**D8 | ANGLE BRACE - W4L16841**  
(x7) | 1 3/8"x6 3/8"x36 7/8" (34x163x938)



**CA01 | CORBEL WITH TAG - W2A03480**  
(x1) | 1 3/8"x6 3/8"x36 7/8" (34x163x938)

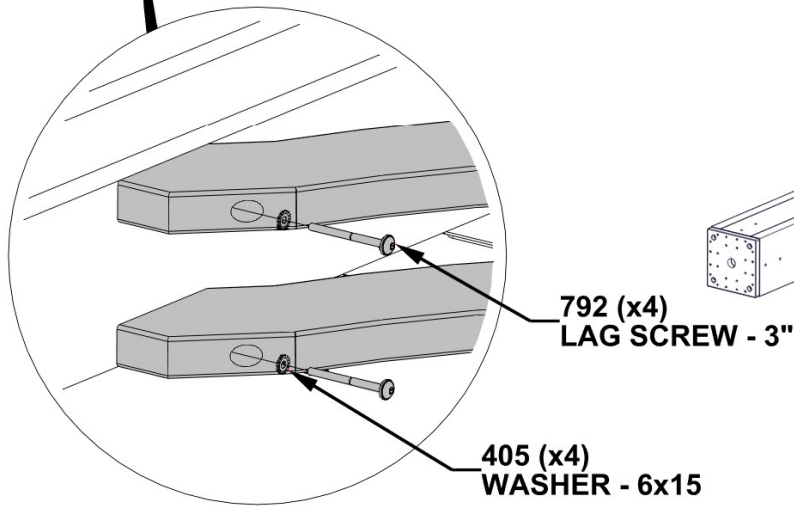
**COMPLETE THIS STEP TWICE.**



**ONE 12FT END WILL USE THREE D8 ANGLE BRACES AND A CA01, THE OTHER 12FT END WILL USE FOUR D8 ANGLE BRACES.**

**CA01 (x1)  
CORBEL WITH TAG**

**D8 (x3)  
ANGLE BRACE**



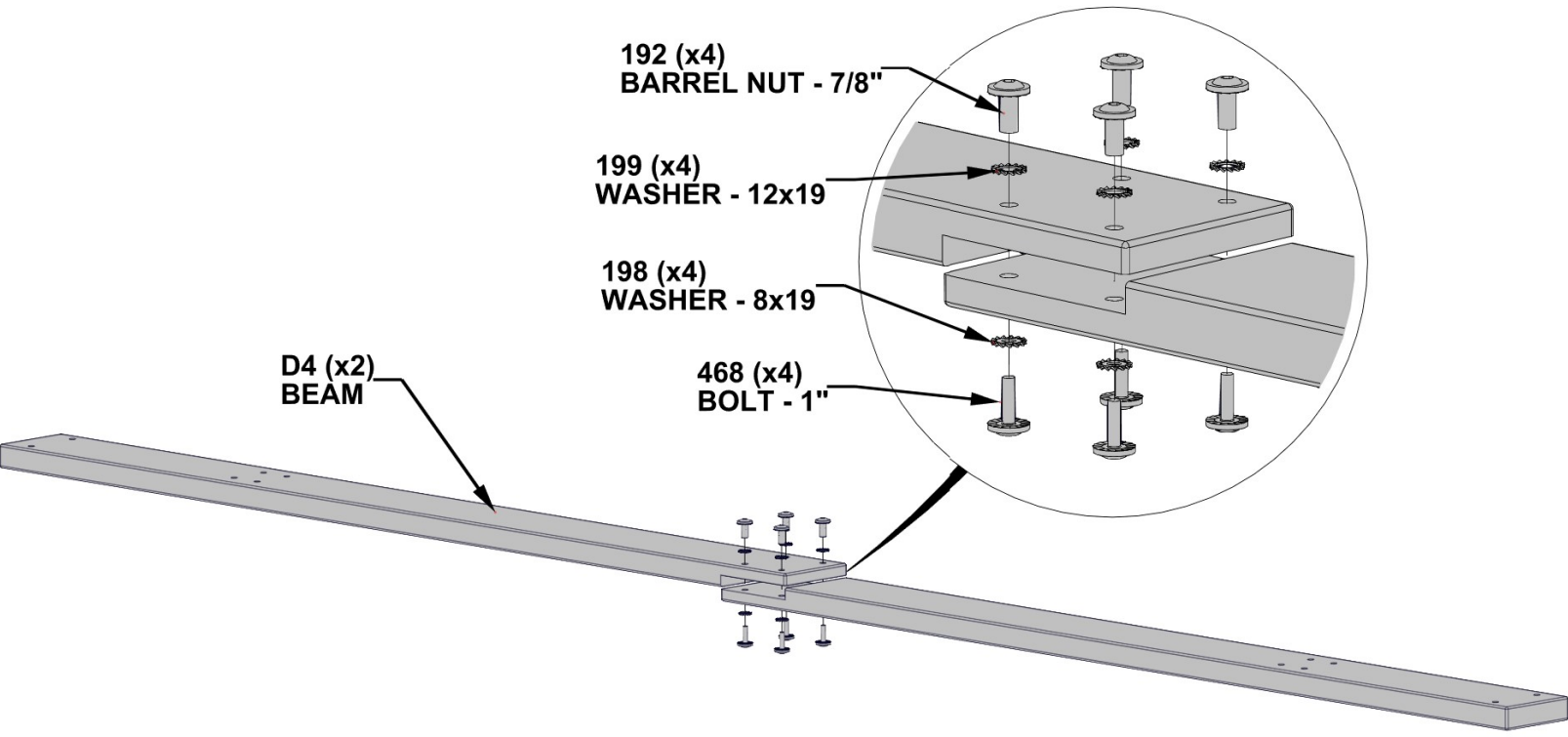
# STEP 4 - GAZEBO ASSEMBLY

QTY	PART NUMBER	DESCRIPTION
8	H100198	WASHER LOCK EXT 8x19
8	H100192	NUT BARREL WH 5/16X7/8 BLK
8	H100468	BOLT WH 5/16x1 BLK
8	H100199	WASHER LOCK EXT 12x19



**D4** | BEAM - W4L13660  
 (x4) 1 3/8"x5 1/4"x67 1/4" (36x134x1707)

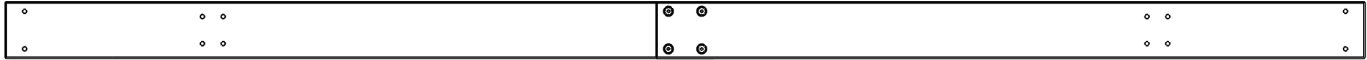
COMPLETE THIS STEP TWICE.





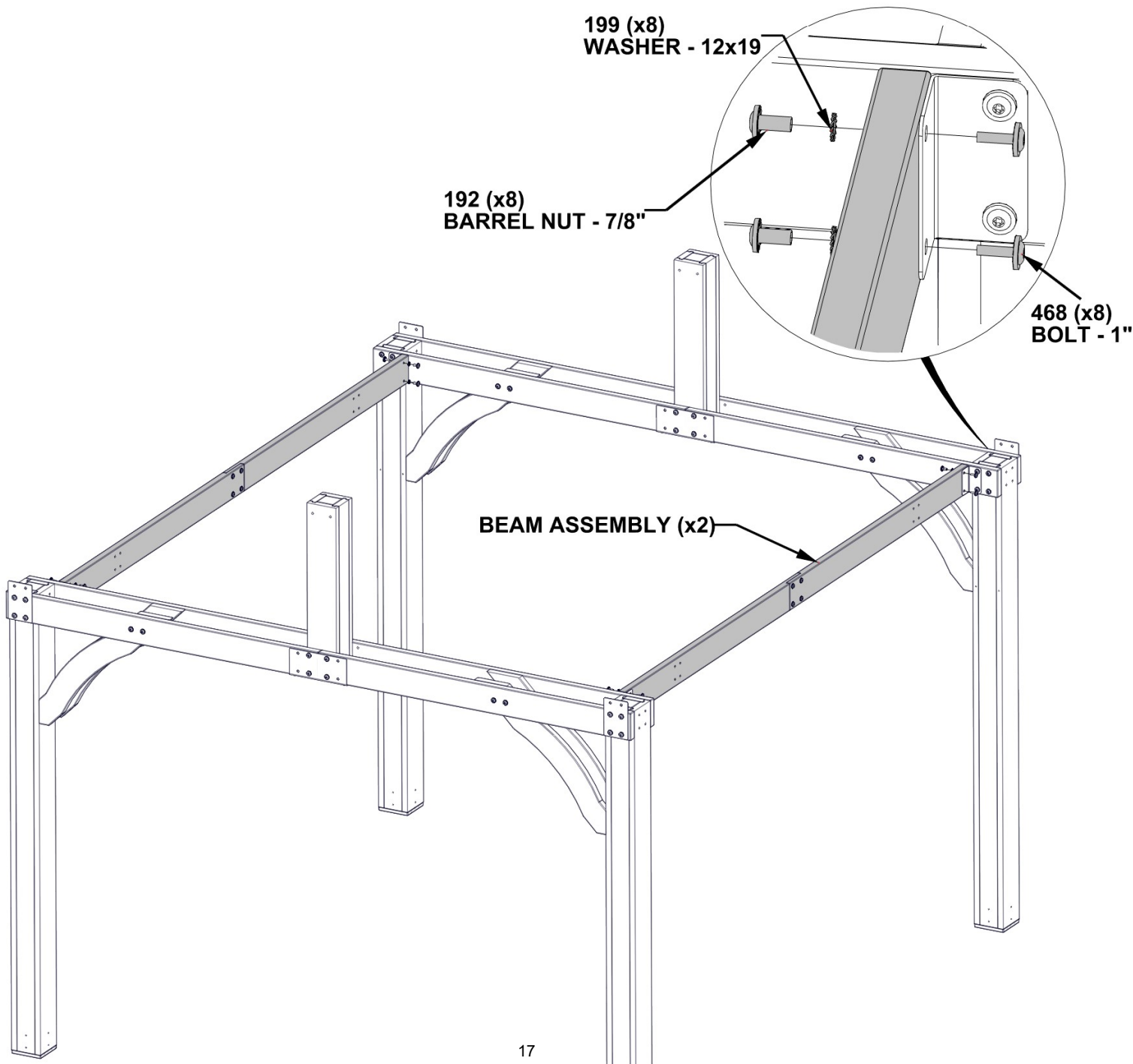
# STEP 5 - GAZEBO ASSEMBLY

QTY	PART NUMBER	DESCRIPTION
8	H100192	NUT BARREL WH 5/16X7/8 BLK
8	H100468	BOLT WH 5/16x1 BLK
8	H100199	WASHER LOCK EXT 12x19



**BEAM ASSEMBLY FROM PREVIOUS STEP**

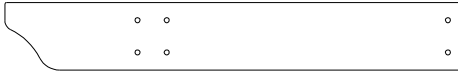
- TIPS:**
- THREE PEOPLE ARE HELPFUL FOR THIS STEP.
  - MOVE THE 12FT POST ASSEMBLIES TO THEIR FINAL LOCATION WITH SOMEONE HOLDING EACH ASSEMBLY UPRIGHT.
  - USING A THIRD PERSON, CONNECT THE BEAM ASSEMBLY TO THE POSTS TO MAKE THE GAZEBO FRAME.



# STEP 6 - GAZEBO ASSEMBLY

QTY	PART NUMBER	DESCRIPTION
16	H100192	NUT BARREL WH 5/16X7/8 BLK
16	H100198	WASHER LOCK EXT 8x19
16	H100199	WASHER LOCK EXT 12x19
16	H100205	BOLT WH 5/16x2 1/4 BLK

**D1 | BEAM - W4L13661**  
(x2) | 1 3/8"x5 1/4"x89 1/2" (36x134x2274)

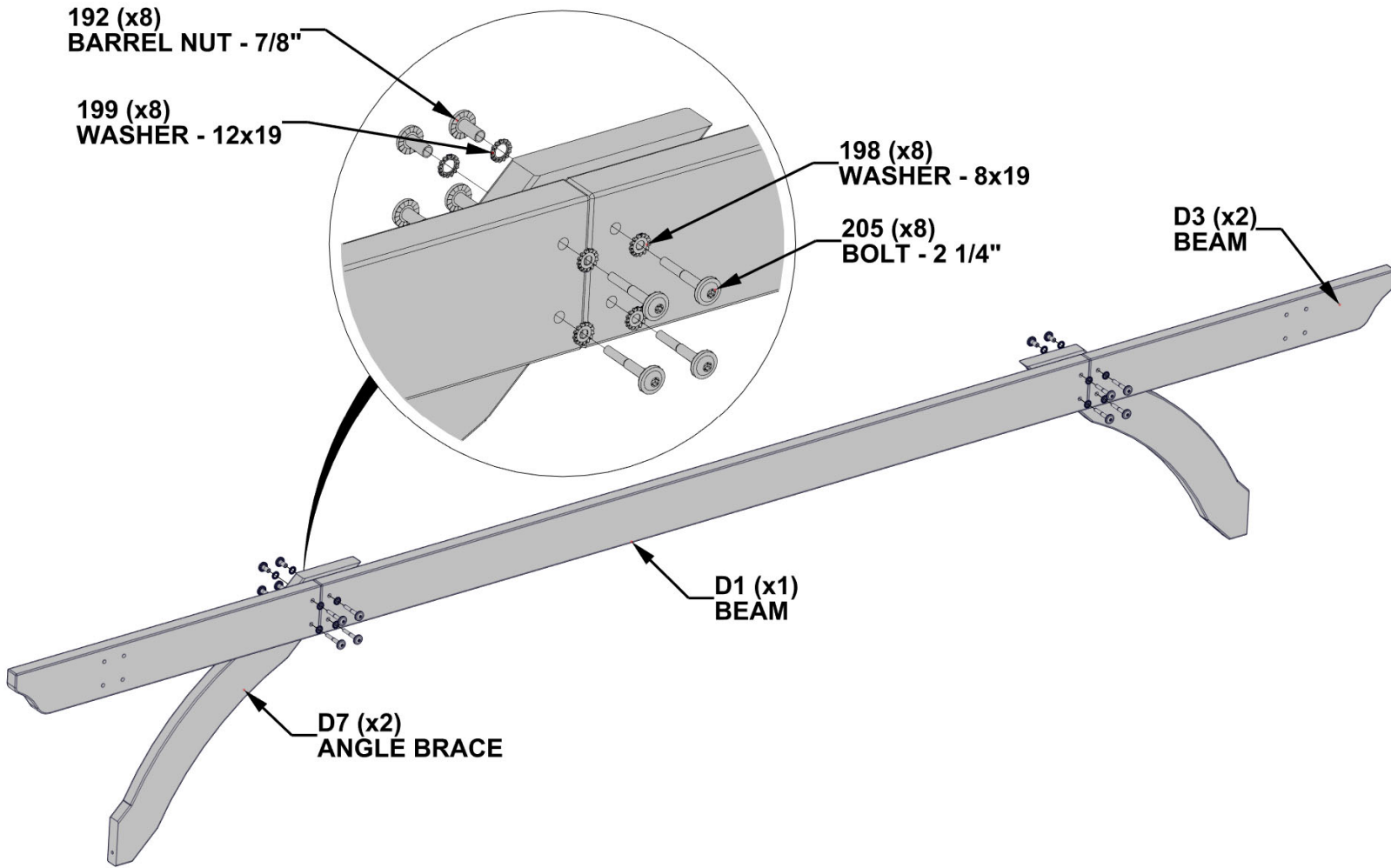


**D3 | BEAM - W4L13596**  
(x4) | 1 3/8"x5 1/4"x35 5/8" (36x134x904)



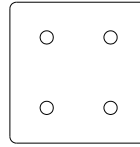
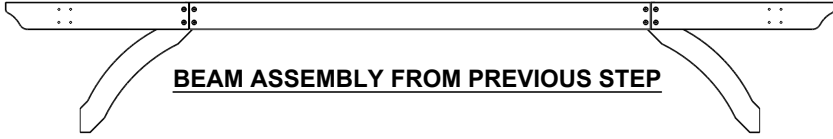
**D7 | ANGLE BRACE - W4L16840**  
(x4) | 1 3/8"x6 3/8"x36 7/8" (34x163x938)

**COMPLETE THIS STEP TWICE.**



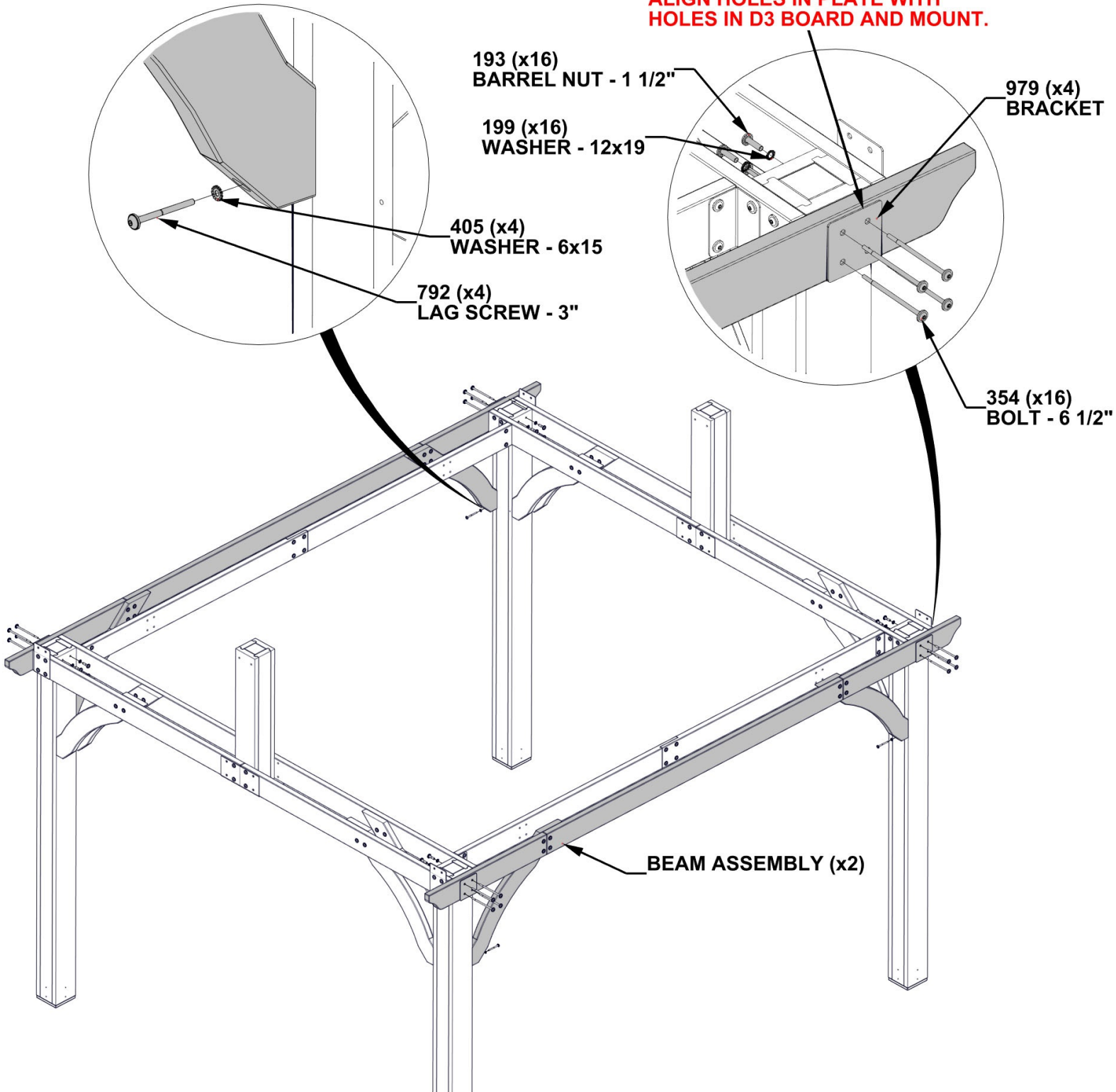
# STEP 7 - GAZEBO ASSEMBLY

QTY	PART NUMBER	DESCRIPTION
16	H100193	NUT BARREL WH 5/16X1 1/2 BLK
16	H100199	WASHER LOCK EXT 12x19
16	H100354	BOLT WH 5/16x6 1/2 BLK
4	H100405	WASHER LOCK EXT 6x15
4	H100792	LAG SCREW WH 1/4x3 BLK



A4M00979  
(x4) BRACKET

**ALIGN HOLES IN PLATE WITH HOLES IN D3 BOARD AND MOUNT.**

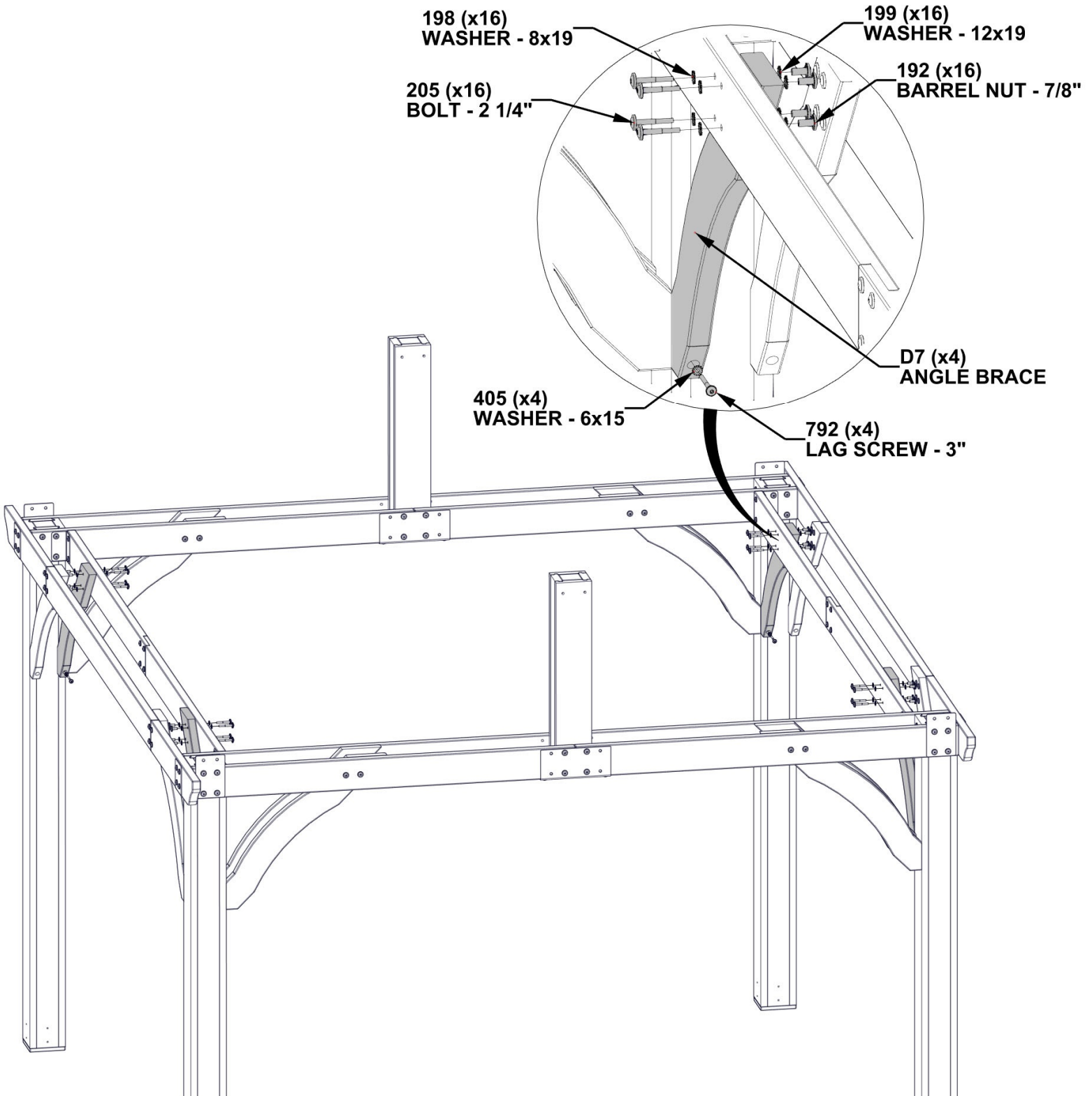


# STEP 8 - GAZEBO ASSEMBLY

QTY	PART NUMBER	DESCRIPTION
16	H100192	NUT BARREL WH 5/16X7/8 BLK
16	H100198	WASHER LOCK EXT 8x19
16	H100199	WASHER LOCK EXT 12x19
16	H100205	BOLT WH 5/16x2 1/4 BLK
4	H100405	WASHER LOCK EXT 6x15
4	H100792	LAG SCREW WH 1/4x3 BLK

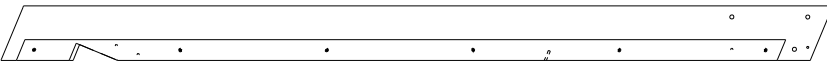


**D7 | ANGLE BRACE - W4L16840**  
 (x4) | 1 3/8"x6 3/8"x36 7/8" (34x163x938)

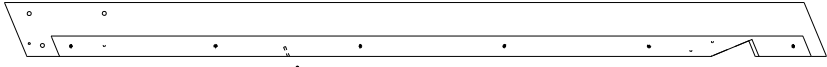


# STEP 9 - GAZEBO ASSEMBLY

QTY	PART NUMBER	DESCRIPTION
4	H100405	WASHER LOCK EXT 6x15
4	H100792	LAG SCREW WH 1/4x3 BLK
4	H100201	SCREW PFH 8x2 1/2 BLK
8	H100471	LAG SCREW WH 5/16x1 1/2 BLK
8	H100192	NUT BARREL WH 5/16X7/8 BLK
8	H100194	BOLT WH 5/16x2 1/2 BLK
8	H100199	WASHER LOCK EXT 12x19



**RP1** | END RAFTER - W2A03020  
(x2) | 2 13/16"x5 1/4"x80 5/8" (72x134x2048)

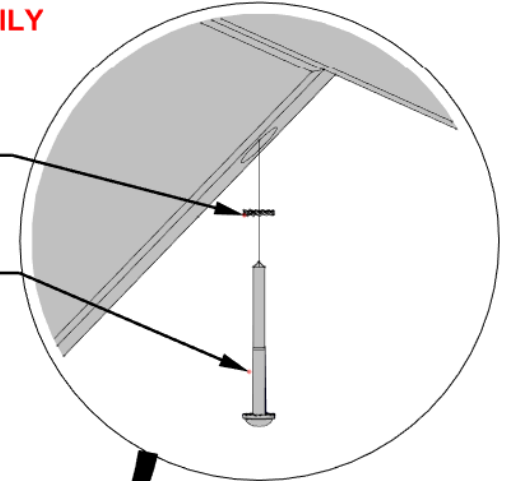
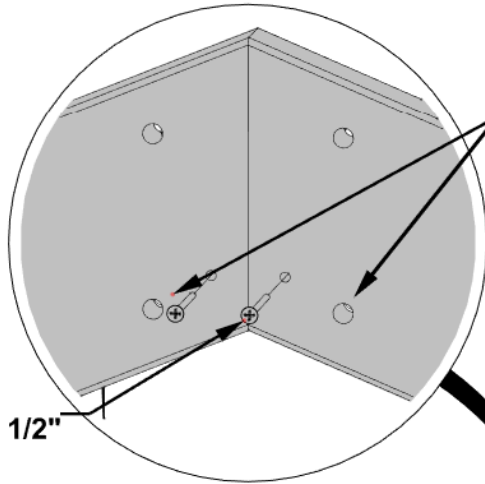


**RP2** | END RAFTER - W2A03022  
(x2) | 2 13/16"x5"x80 5/8" (72x134x2048)



**D5** | ANGLE BRACE - W4L16839  
(x4) | 1 3/8"x5 1/4"x30 1/4" (36x134x769)

**ALIGN PILOT HOLES WITH POST HOLES BY TEMPORARILY INSTALLING 829 BOLTS BEFORE SCREWS.**



**405 (x4)**  
WASHER - 6x15

**792 (x4)**  
LAG SCREW - 3"

**201 (x4)**  
SCREW - 2 1/2"

**D5 (x4)**  
ANGLE BRACE

**RP2 (x2)**  
END RAFTER

**RP1 (x2)**  
END RAFTER

**471 (x8)**  
LAG SCREW - 1 1/2"

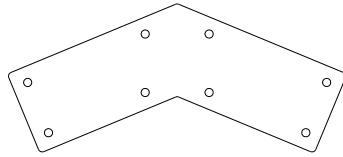
**192 (x8)**  
BARREL NUT - 7/8"

**194 (x8)**  
BOLT - 2 1/2"

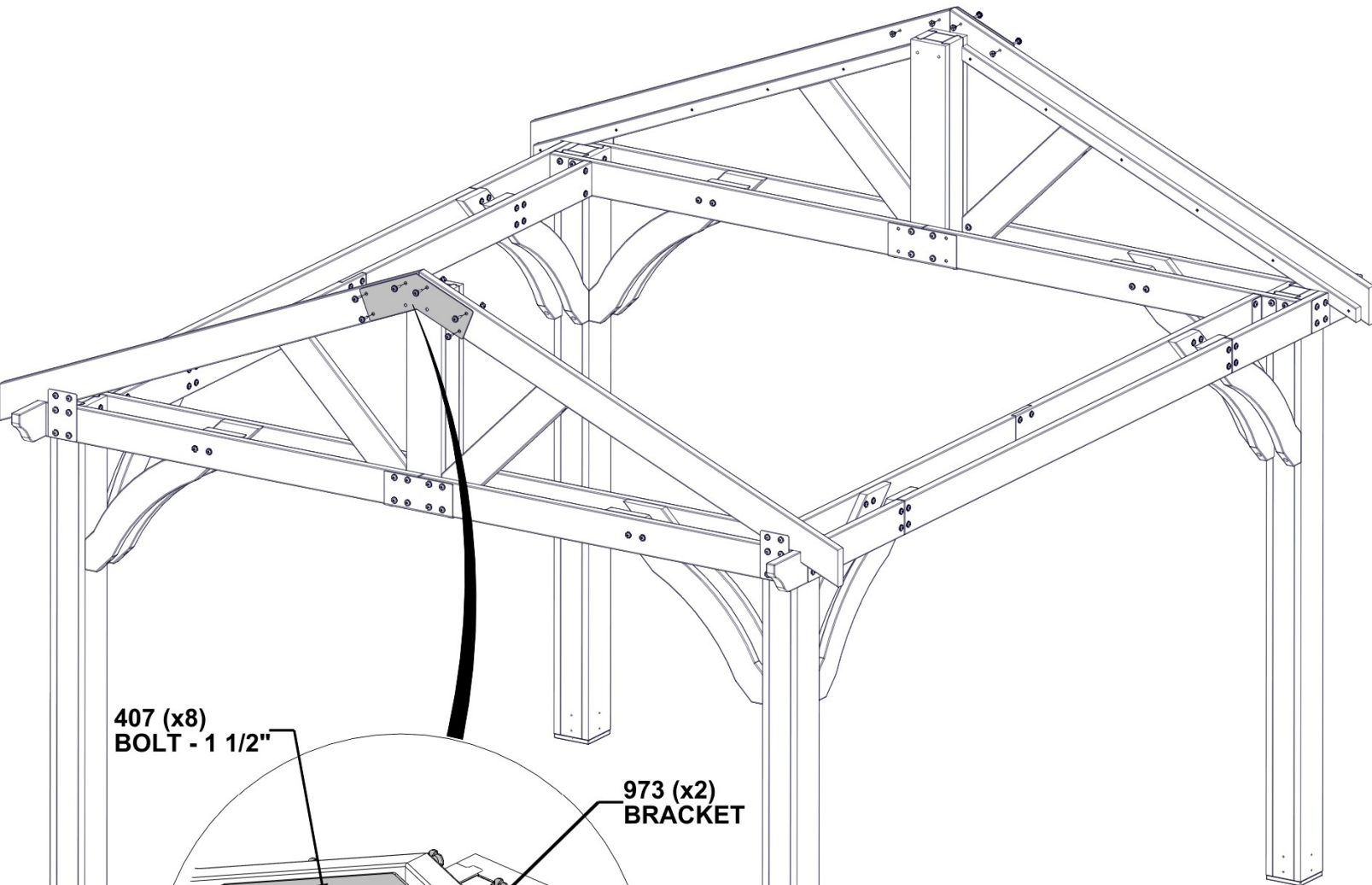
**199 (x8)**  
WASHER - 12x19

# STEP 10 - GAZEBO ASSEMBLY

QTY	PART NUMBER	DESCRIPTION
4	H100471	LAG SCREW WH 5/16x1 1/2 BLK
8	H100379	T-NUT 5/16 BLK
8	H100407	BOLT WH 5/16x1 1/2 BLK



**A4M00973**  
(x2) | **BRACKET**



**407 (x8)**  
**BOLT - 1 1/2"**

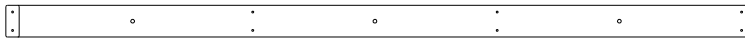
**973 (x2)**  
**BRACKET**

**379 (x8)**  
**T-NUT - 5/16"**

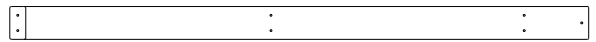
**471 (x4)**  
**LAG SCREW - 1 1/2"**

# STEP 11 - GAZEBO ASSEMBLY

QTY	PART NUMBER	DESCRIPTION
12	H100200	SCREW PFH 8x1 1/2 BLK
36	H100391	SCREW PFH 8x2 BLK



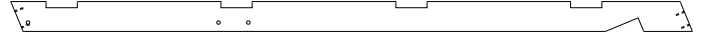
**H1 | RAFTER - W4L13666**  
(x2) | 1"x3 3/8"x79 3/8" (24x86x2016)



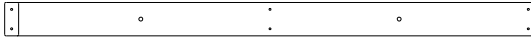
**H4 | FASCIA - W4L13668**  
(x2) | 1"x3 3/8"x59 3/4" (24x86x1518)



**H2 | FASCIA - W4L13663**  
(x2) | 1"x3 3/8"x85 3/8" (24x86x2170)



**E1 | OUTSIDE RAFTER - W4L13604**  
(x4) | 1 3/8"x3 3/8"x77 3/8" (36x86x1965)

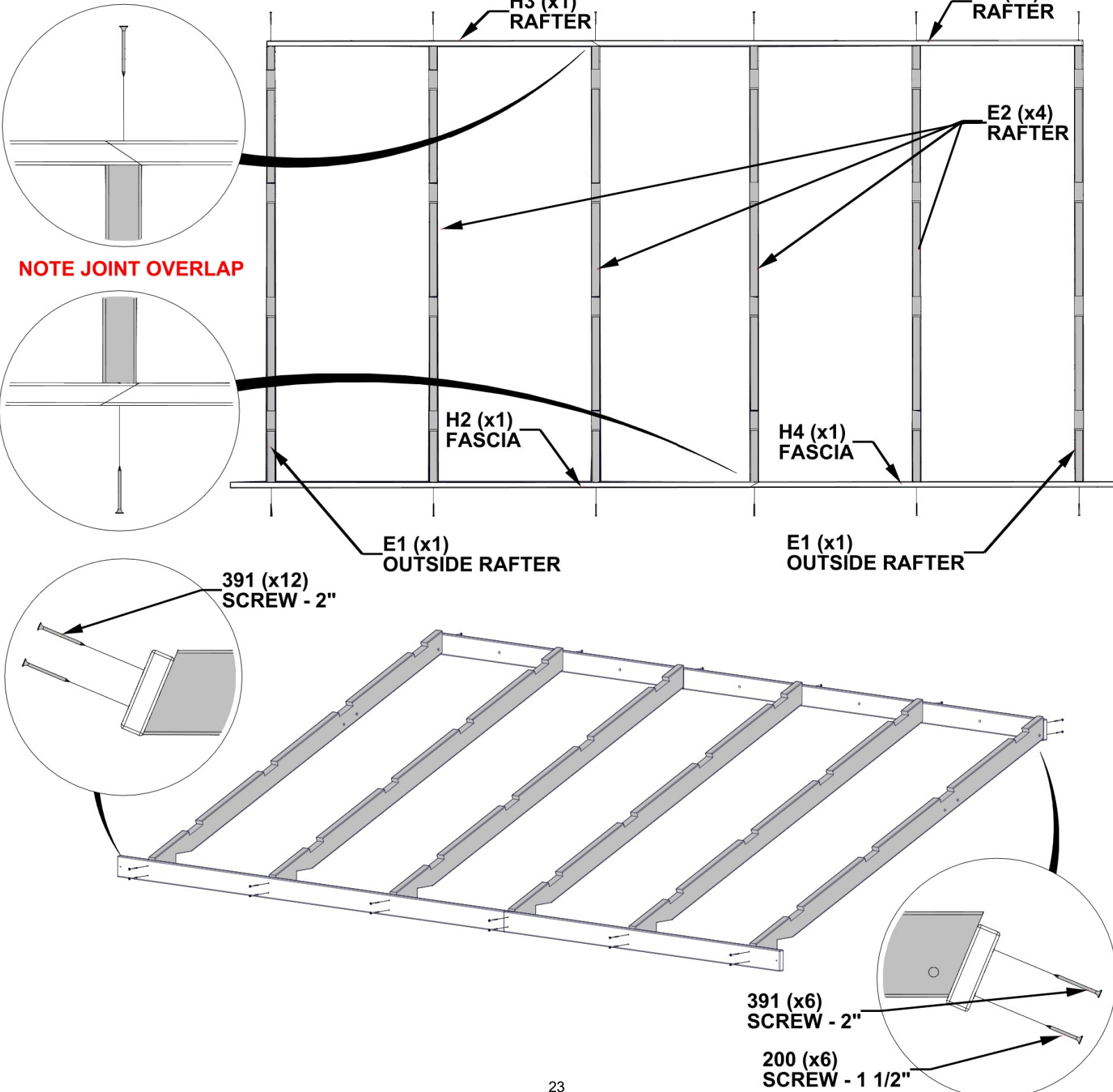


**H3 | RAFTER - W4L13667**  
(x2) | 1"x3 3/8"x53 11/16" (24x86x1364)



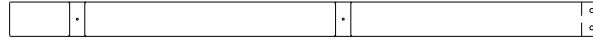
**E2 | RAFTER - W4L13603**  
(x8) | 1 3/8"x3 3/8"x77 3/8" (36x86x1965)

COMPLETE THIS STEP TWICE.



# STEP 12 - GAZEBO ASSEMBLY

QTY	PART NUMBER	DESCRIPTION
16	H100379	T-NUT 5/16 BLK
16	H100459	BOLT WH 5/16x1 1/4 BLK
16	H100198	WASHER LOCK EXT 8x19
48	H100391	SCREW PFH 8x2 BLK

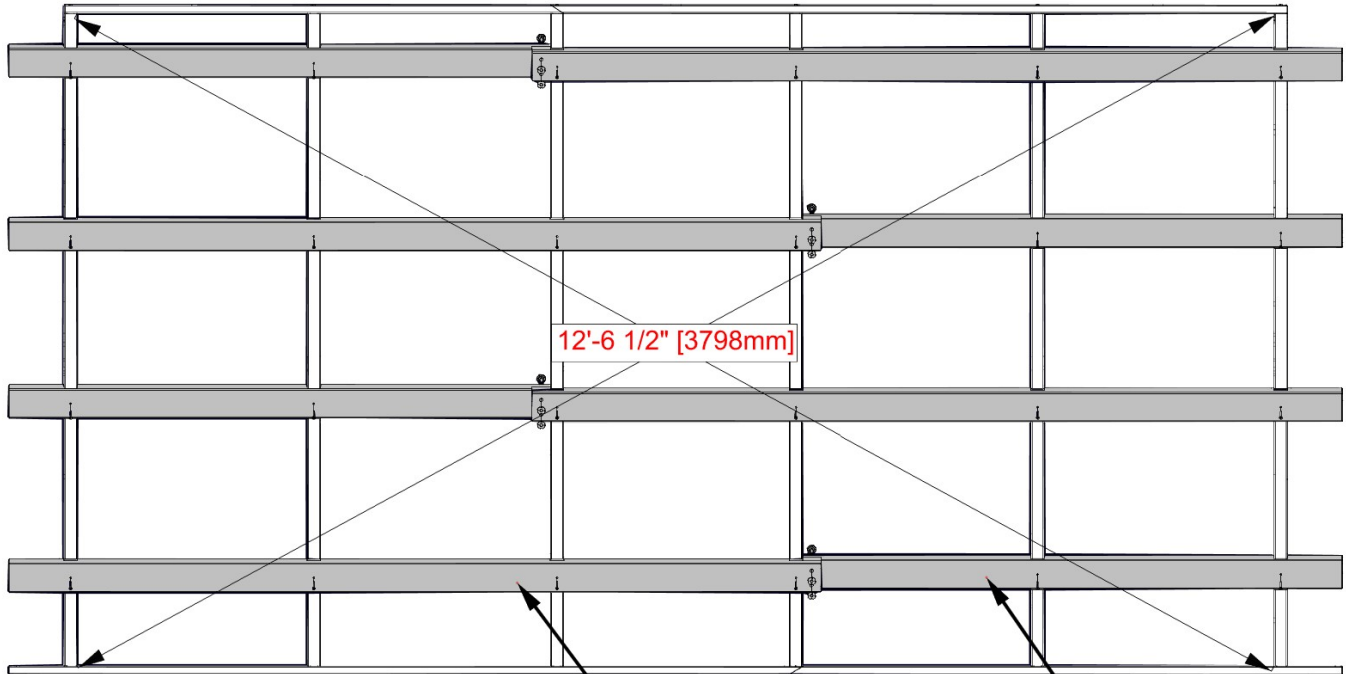


**E3 | SHEATHING BOARD - W4L13659**  
(x8) 1 3/8"x3 3/8"x58 1/4" (36x86x1478)

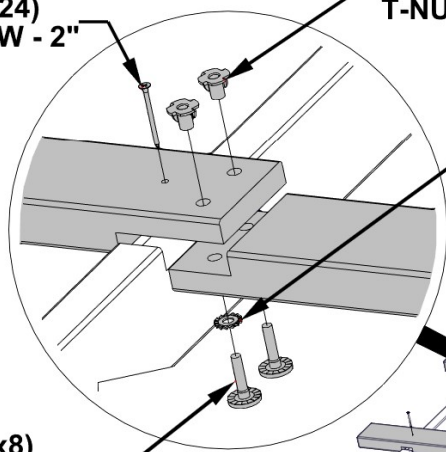


**E4 | SHEATHING BOARD - W4L13662**  
(x8) 1 3/8"x3 3/8"x87 1/4" (36x86x2217)

**COMPLETE THIS STEP TWICE.**



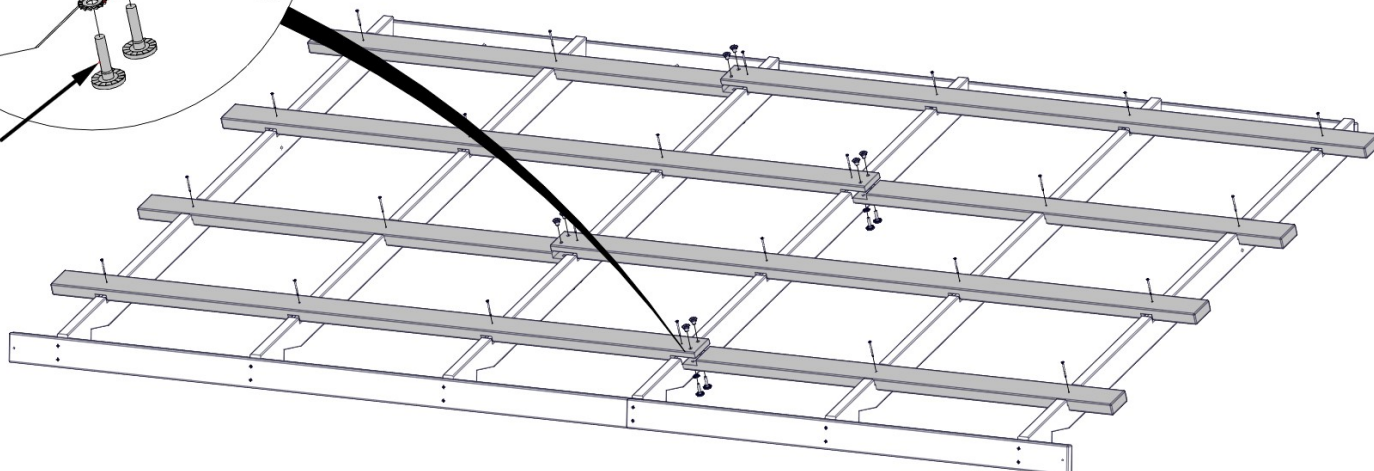
391 (x24) SCREW - 2"      379 (x8) T-NUT - 5/16"      E4 (x4) SHEATHING BOARD      E3 (x4) SHEATHING BOARD



198 (x8) WASHER - 8x19

**NOTE:**  
SQUARE EACH ROOF PANEL. MEASURE FROM CORNER TO CORNER AS SHOWN TO ENSURE THE MEASUREMENT IS THE SAME IN EACH DIRECTION. THEN INSTALL THE E3 & E4 BOARDS AS SHOWN.

459 (x8) BOLT - 1 1/4"



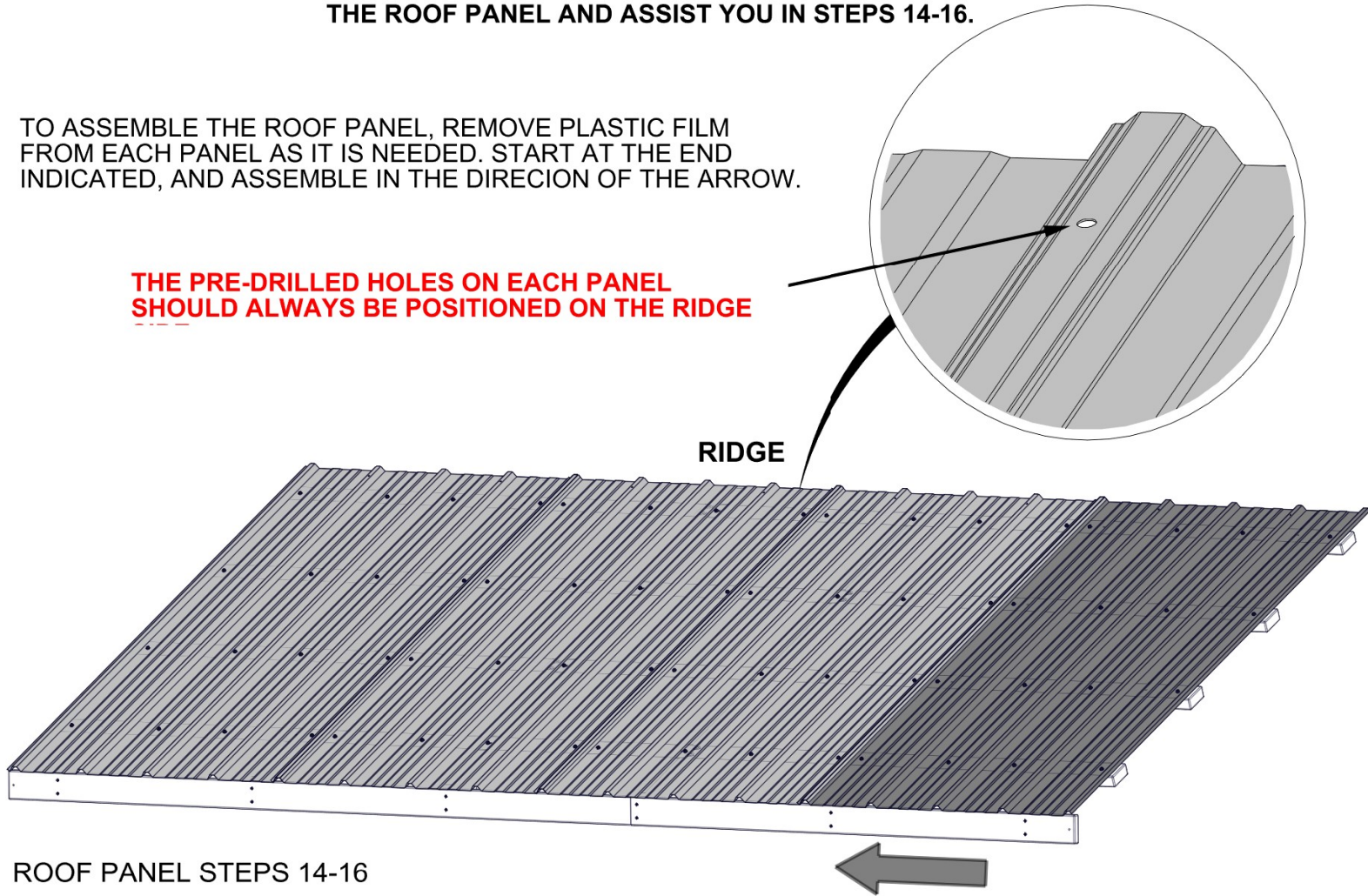


# STEP 13 - GAZEBO ASSEMBLY

USE THIS PAGE TO FAMILIARIZE YOURSELF WITH THE ROOF PANEL AND ASSIST YOU IN STEPS 14-16.

TO ASSEMBLE THE ROOF PANEL, REMOVE PLASTIC FILM FROM EACH PANEL AS IT IS NEEDED. START AT THE END INDICATED, AND ASSEMBLE IN THE DIRECTION OF THE ARROW.

**THE PRE-DRILLED HOLES ON EACH PANEL SHOULD ALWAYS BE POSITIONED ON THE RIDGE**



**GLOVES SHOULD BE WORN WHEN HANDLING ROOF PANELS: EDGES ARE SHARP.**

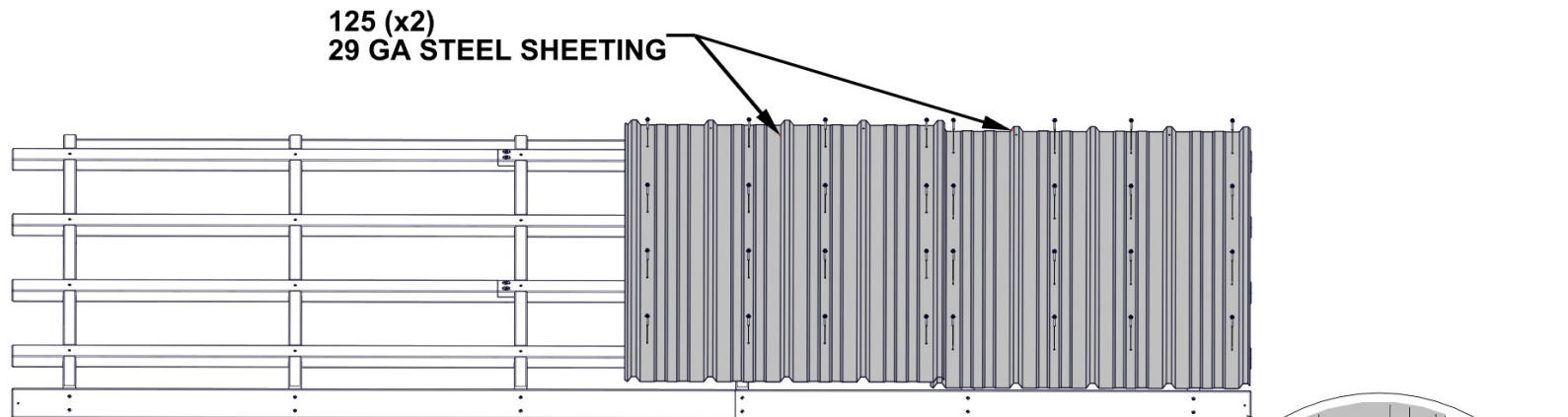
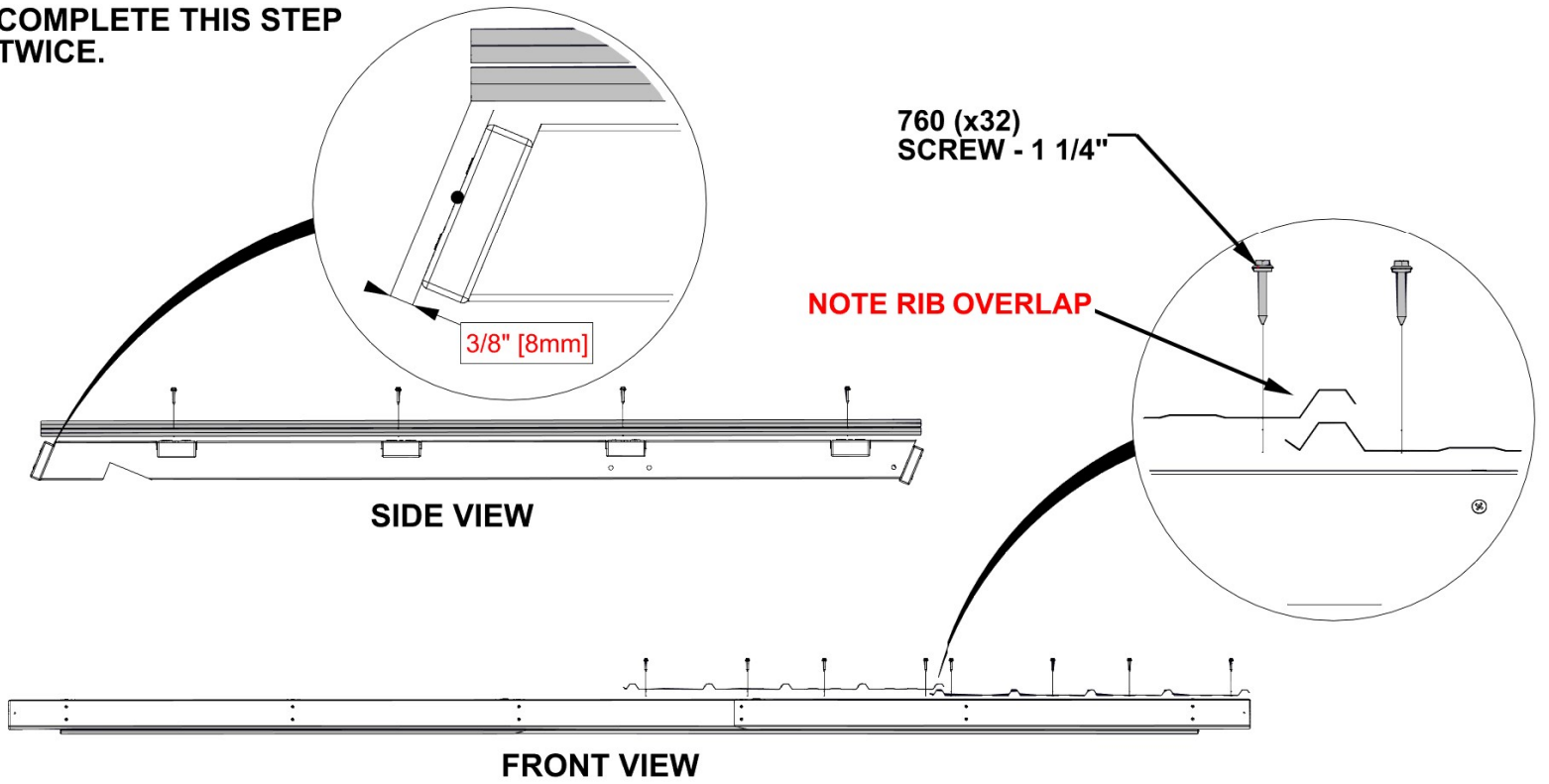
# STEP 14 - GAZEBO ASSEMBLY

QTY	PART NUMBER	DESCRIPTION
64	H100760	SCREW WOODGRIP 10-16x1-1/4"



A4M01125 (x4) | 29 GA STEEL SHEETING

COMPLETE THIS STEP TWICE.



ENSURE ROOF PANEL IS SQUARE BEFORE MOVING ON.

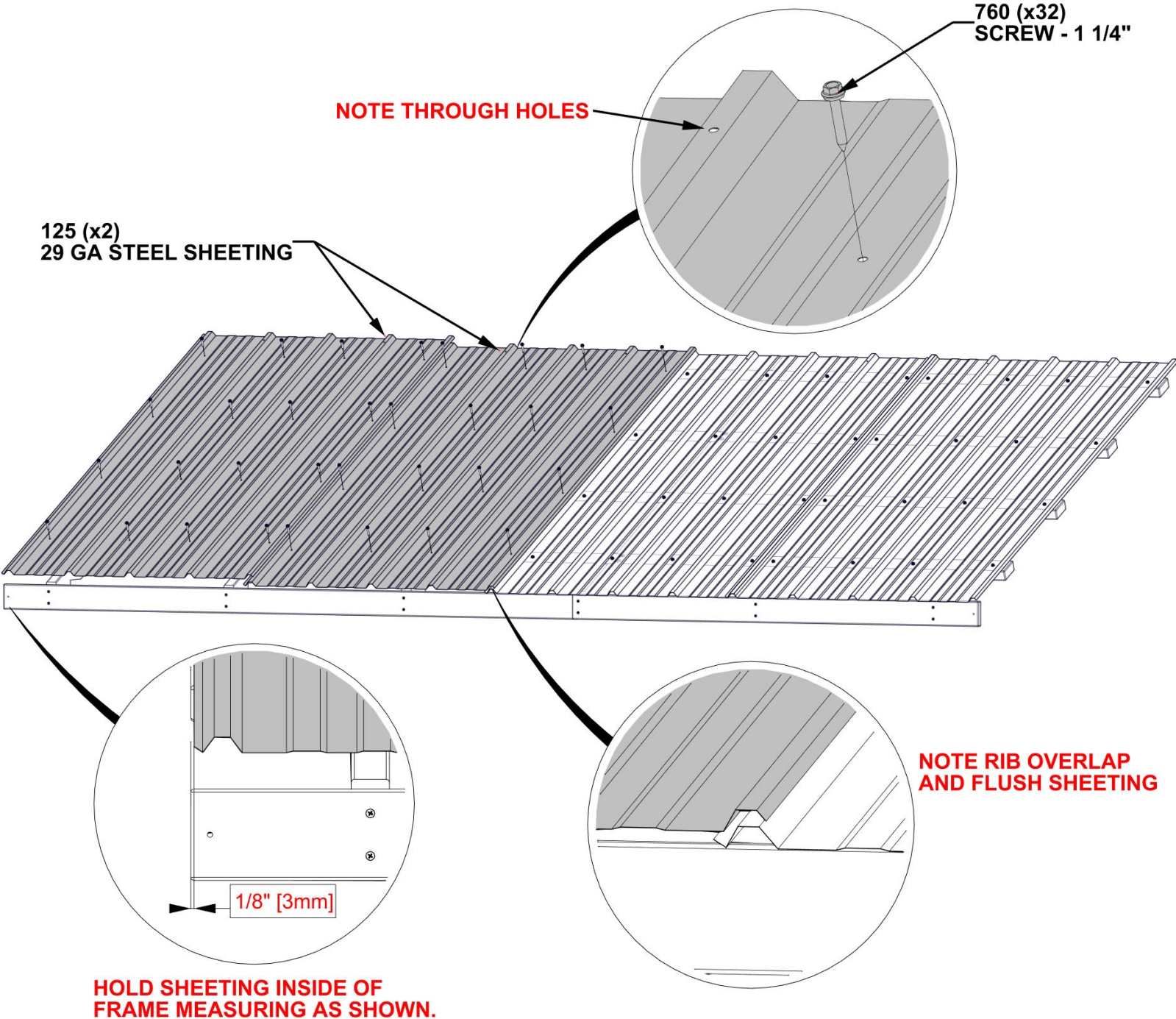
# STEP 15 - GAZEBO ASSEMBLY

QTY	PART NUMBER	DESCRIPTION
64	H100760	SCREW WOODGRIP 10-16x1-1/4"



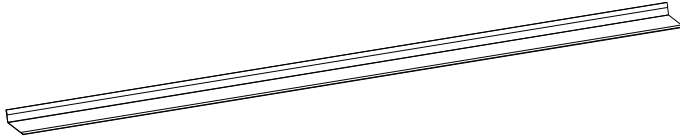
A4M01125 (x4) | 29 GA STEEL SHEETING

COMPLETE THIS STEP TWICE.

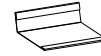


# STEP 16 - GAZEBO ASSEMBLY

QTY	PART NUMBER	DESCRIPTION
18	H100759	SCREW SELF TAPPING 1/4x3/4"



**A4M01114** | ROOF EDGE TRIM  
(x4)

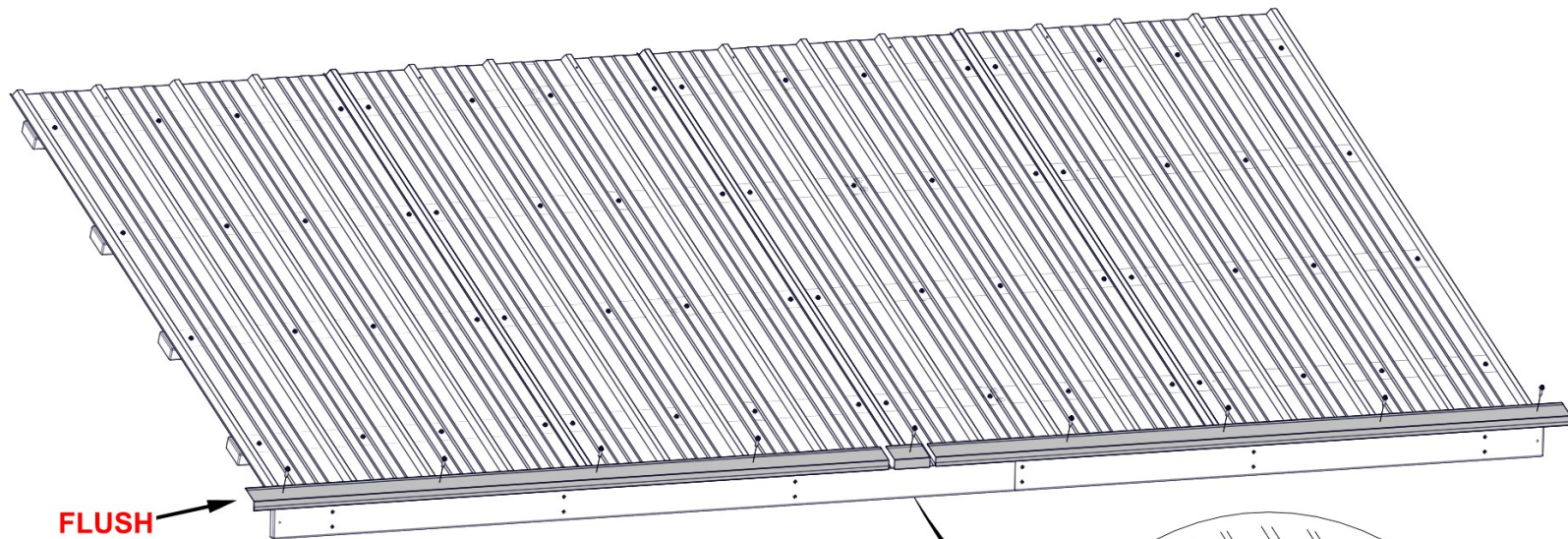


**A4M00983** | ROOF EDGE TRIM SPLICE  
(x2)

## COMPLETE THIS STEP TWICE

DUE TO MULTIPLE LAYERS OF METAL ON THE EDGE TRIM, IT IS RECOMMENDED THAT A 1/8" DRILL BIT IS USED TO CREATE STARTER HOLES.

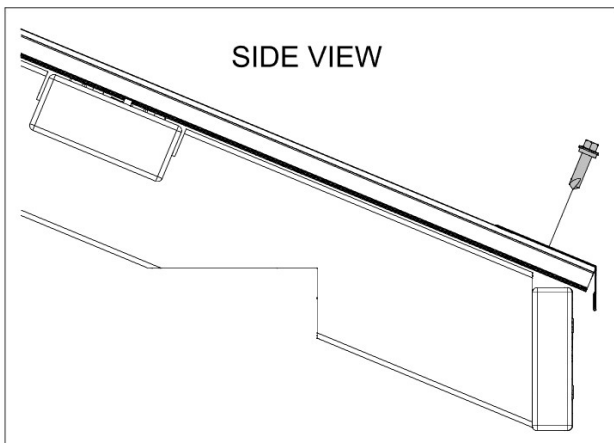
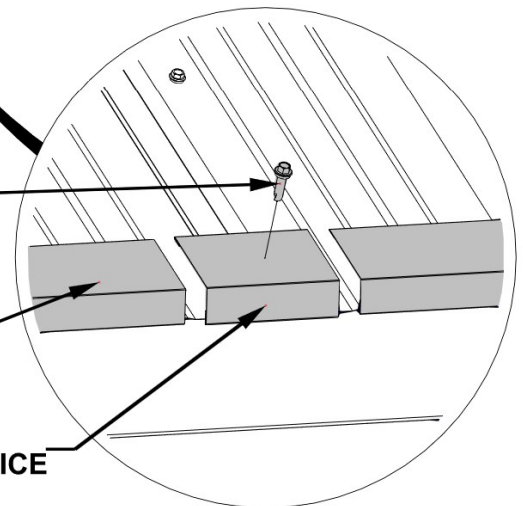
**SCREWS GO THROUGH EDGE TRIM INTO THE TOP OF THE RIBS IN THE APPROXIMATE LOCATIONS SHOWN.**



**759 (x9)**  
SCREW - 3/4"

**114 (x2)**  
ROOF EDGE TRIM

**983 (x1)**  
ROOF EDGE TRIM SPLICE

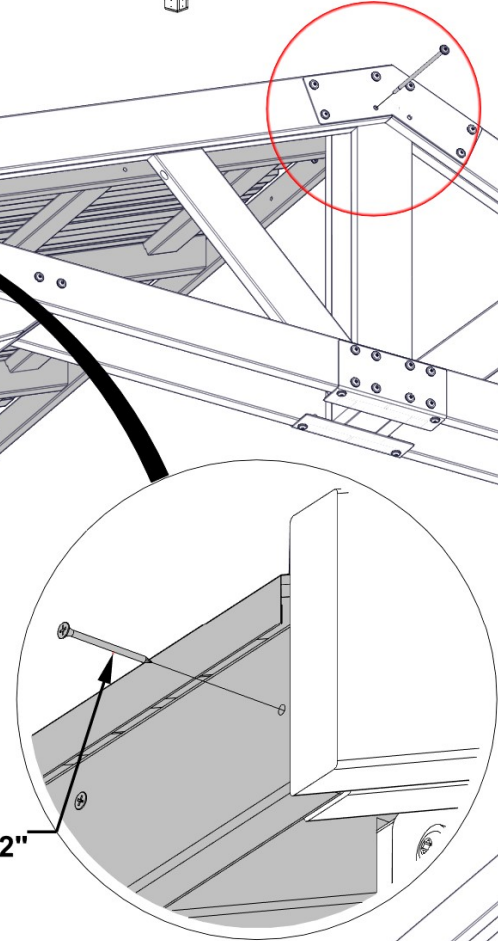
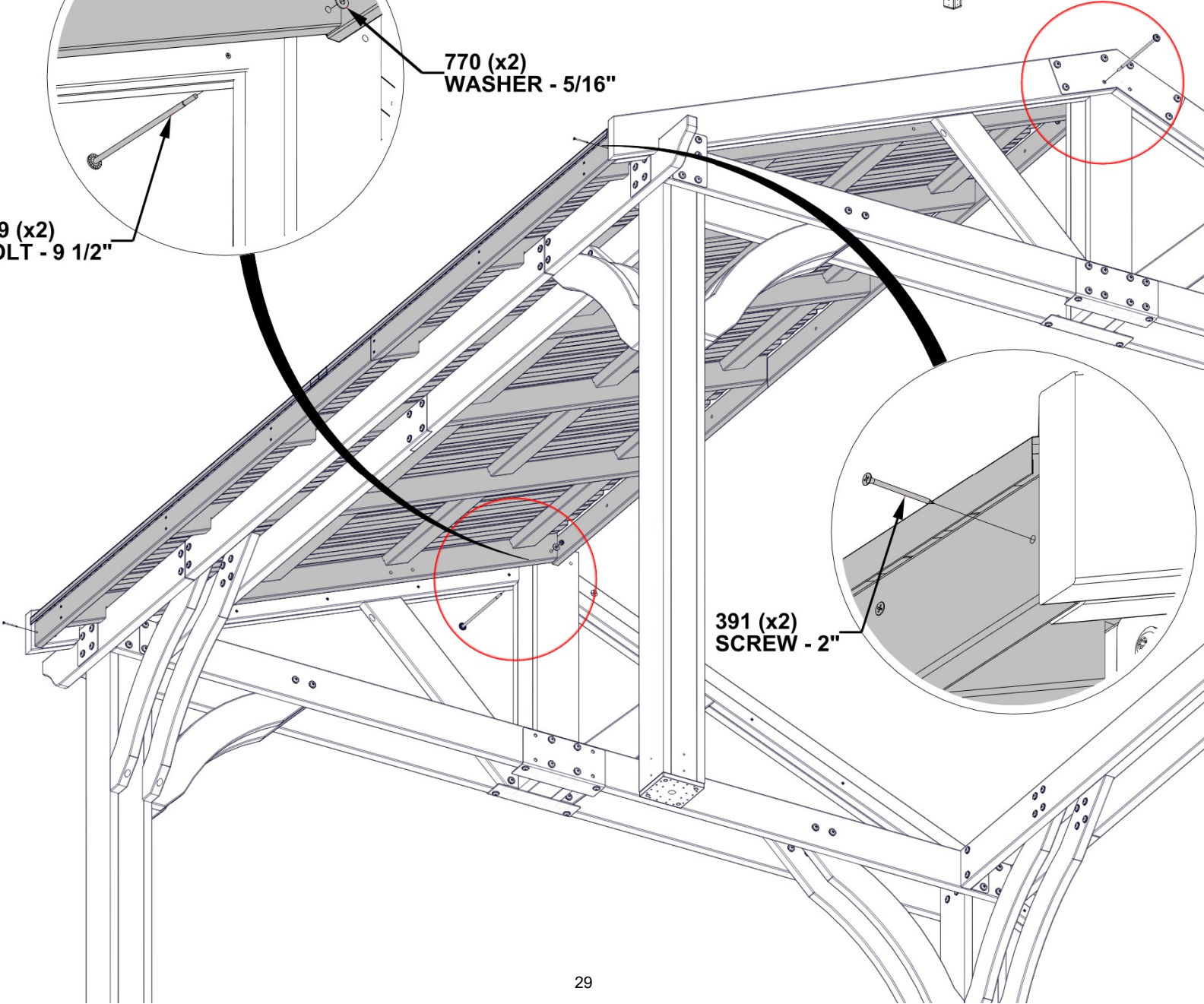
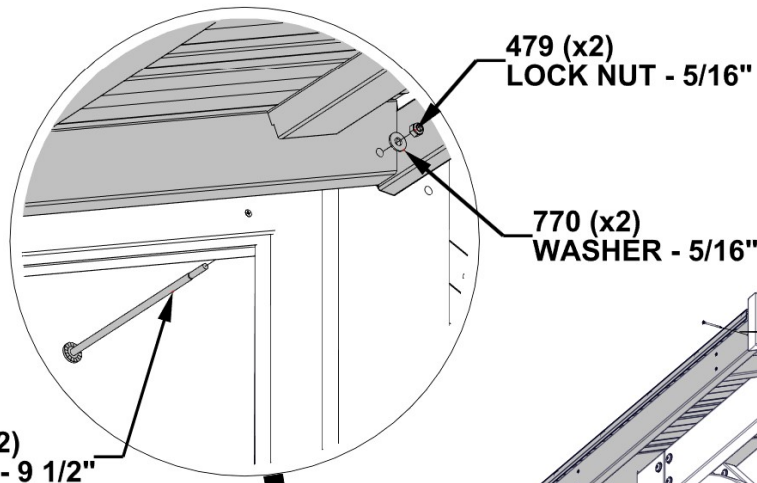
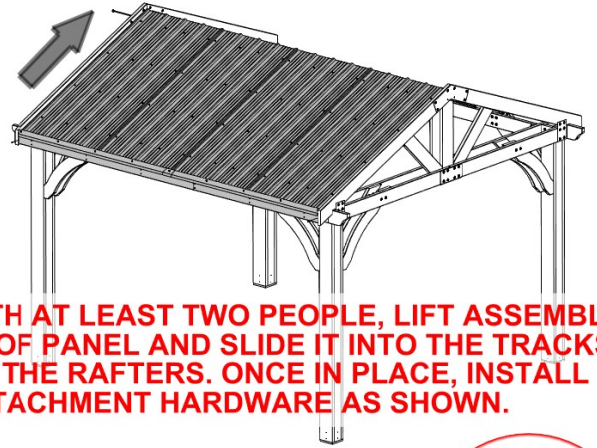


**SLIDE EDGE TRIM INTO SPLICE. ENSURE THAT BOTH ENDS ARE FLUSH WITH EDGE OF ROOF PANELS.**

# STEP 17 - GAZEBO ASSEMBLY

QTY	PART NUMBER	DESCRIPTION
2	H100479	NUT LOCK 5/16 BLK
2	H100829	BOLT WH 5/16x9 1/2 BLK
2	H100391	SCREW PFH 8x2 BLK
2	H100770	WASHER FLAT 5/16 BLK

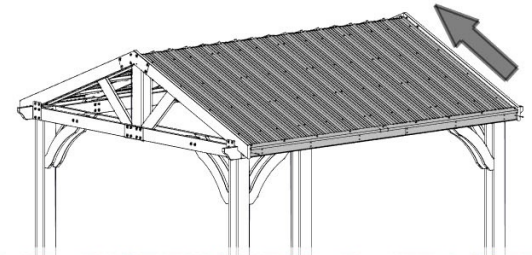
**INSTALL BOLTS, WASHERS,  
AND NUTS BEFORE SCREWS.**



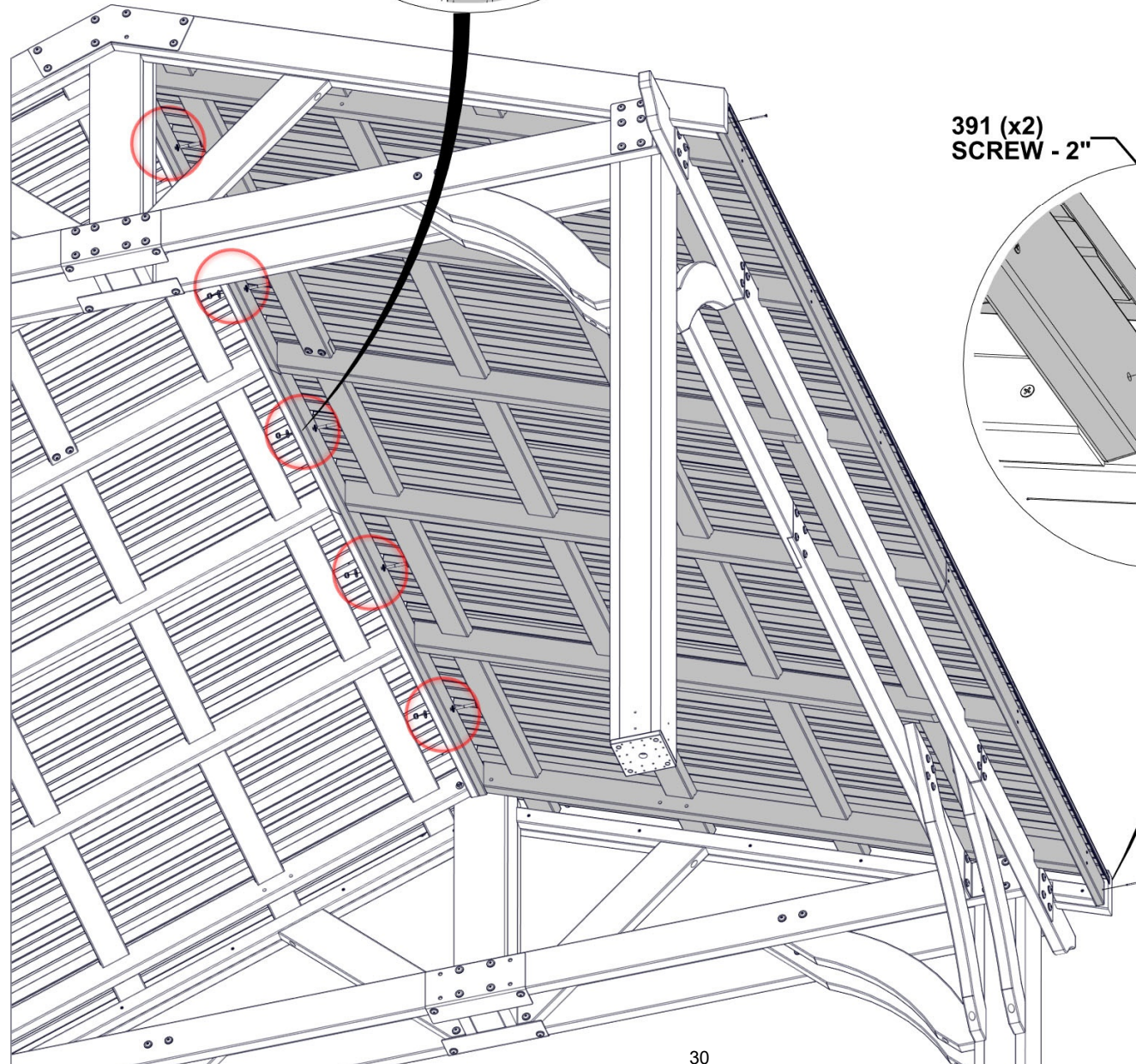
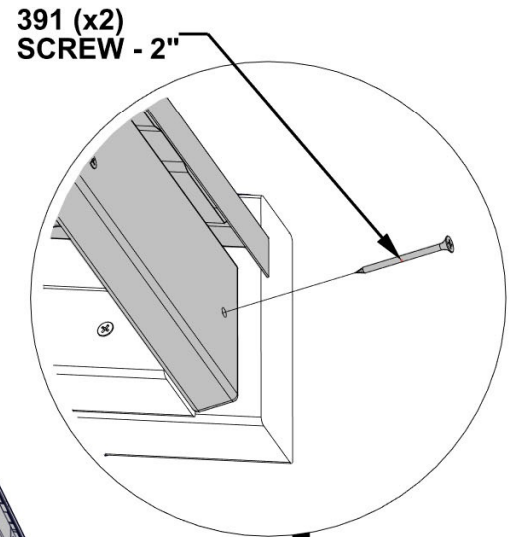
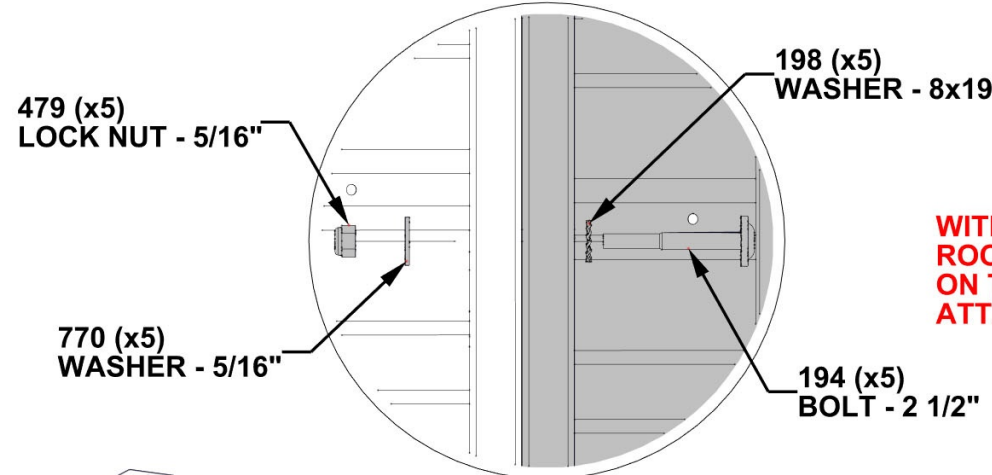
# STEP 18 - GAZEBO ASSEMBLY

QTY	PART NUMBER	DESCRIPTION
5	H100194	BOLT WH 5/16x2 1/2 BLK
5	H100198	WASHER LOCK EXT 8x19
2	H100391	SCREW PFH 8x2 BLK
5	H100479	NUT LOCK 5/16 BLK
5	H100770	WASHER FLAT 9.5x22 BLK

**INSTALL BOLTS, WASHERS,  
AND NUTS BEFORE SCREWS.**

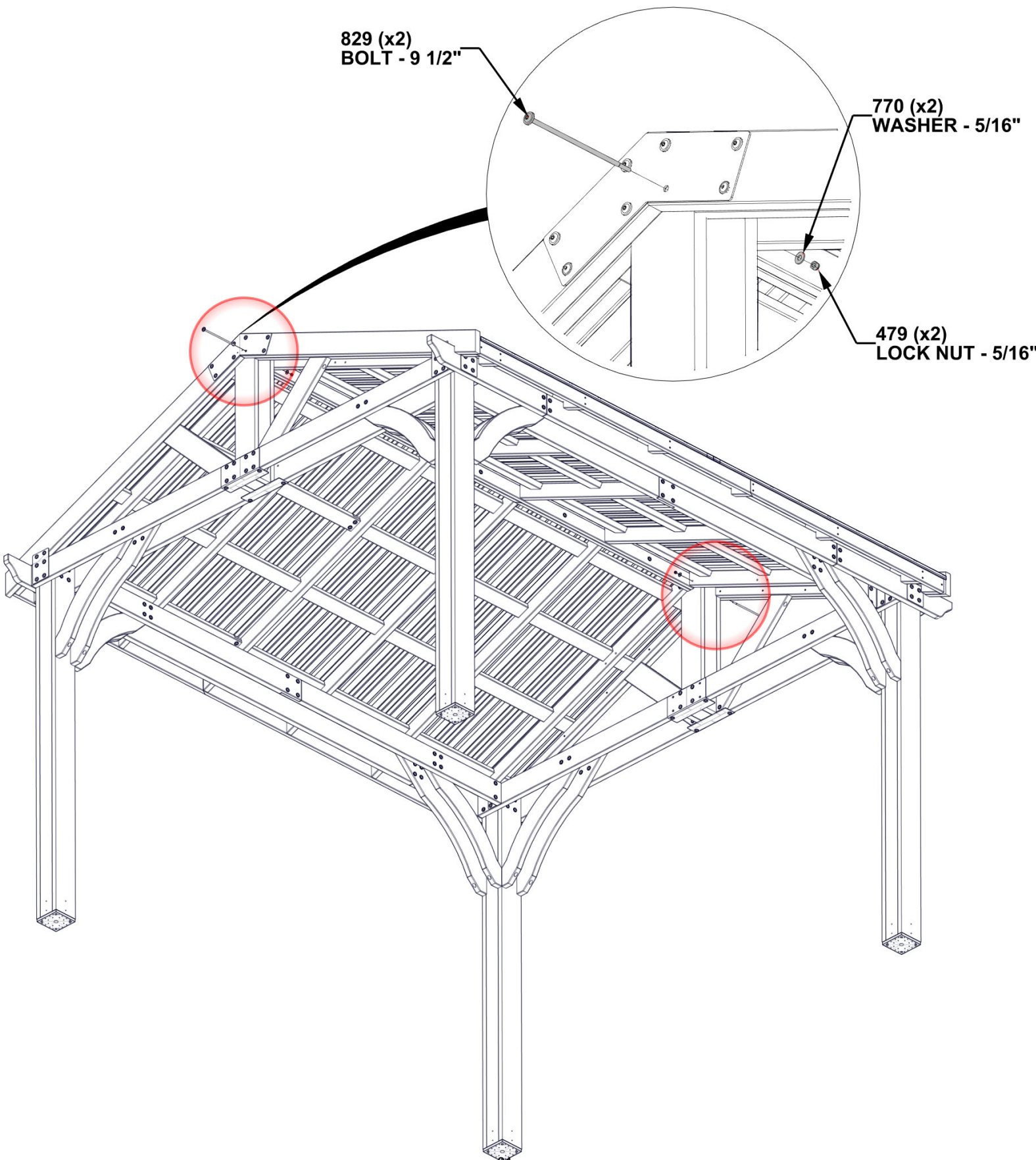


**WITH AT LEAST TWO PEOPLE, LIFT ASSEMBLED  
ROOF PANEL AND SLIDE IT INTO THE TRACKS  
ON THE RAFTERS. ONCE IN PLACE, INSTALL  
ATTACHMENT HARDWARE AS SHOWN.**



# STEP 19 - GAZEBO ASSEMBLY

QTY	PART NUMBER	DESCRIPTION
2	H100479	NUT LOCK 5/16 BLK
2	H100770	WASHER FLAT 5/16 BLK
2	H100829	BOLT WH 5/16x9 1/2 BLK

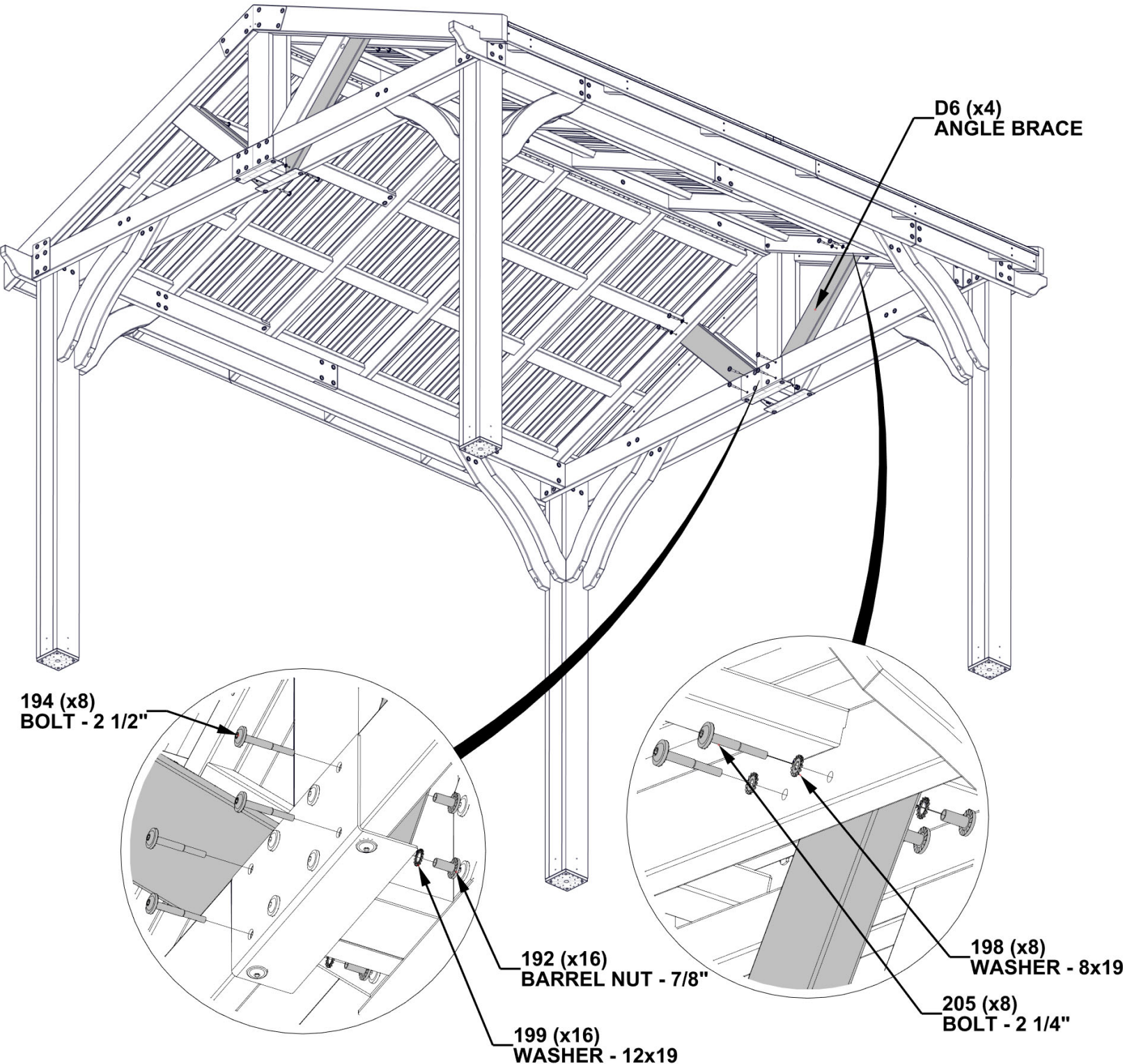


# STEP 20 - GAZEBO ASSEMBLY

QTY	PART NUMBER	DESCRIPTION
16	H100192	NUT BARREL WH 5/16X7/8 BLK
8	H100194	BOLT WH 5/16x2 1/2 BLK
8	H100198	WASHER LOCK EXT 8x19
16	H100199	WASHER LOCK EXT 12x19
8	H100205	BOLT WH 5/16x2 1/4 BLK



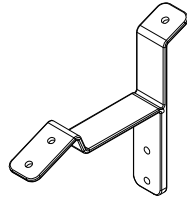
**D6 | ANGLE BRACE - W4L13607**  
 (x4) | 1 3/8"x5 1/4"x32 3/8" (36x134x823)





# STEP 21 - GAZEBO ASSEMBLY

QTY	PART NUMBER	DESCRIPTION
40	H100536	SCREW PWH 8x1 1/4 BLK

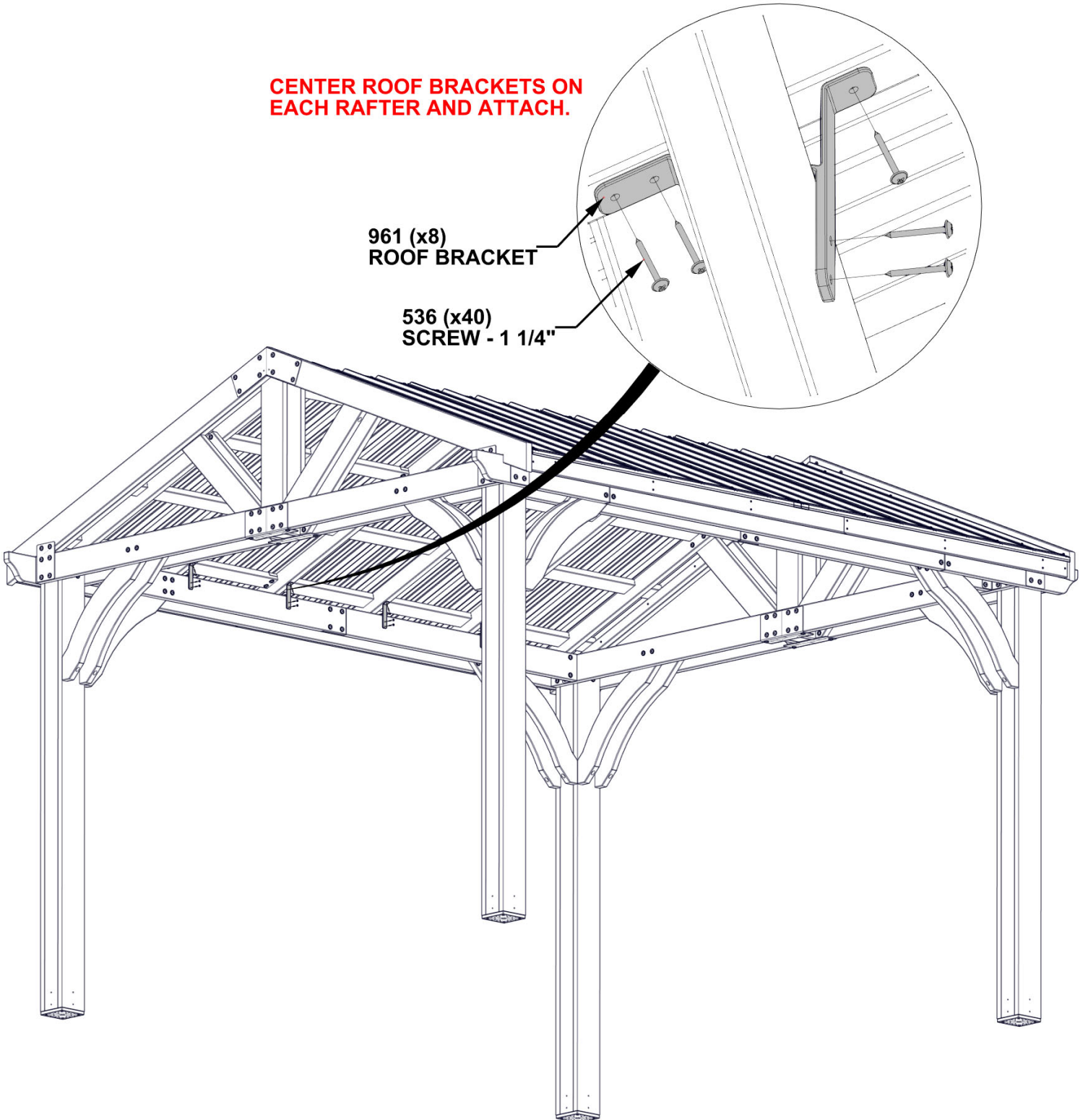


A4M00961 | ROOF BRACKET  
(x8)

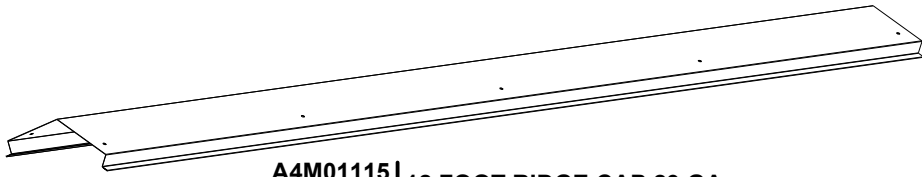
**CENTER ROOF BRACKETS ON EACH RAFTER AND ATTACH.**

961 (x8)  
ROOF BRACKET

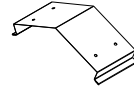
536 (x40)  
SCREW - 1 1/4"



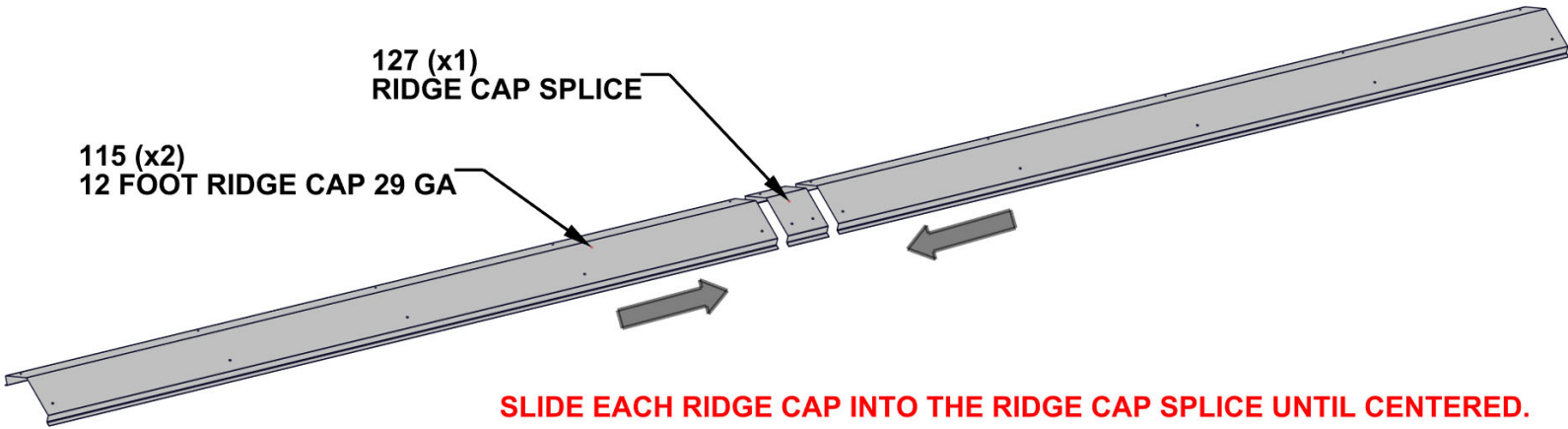
# STEP 22 - GAZEBO ASSEMBLY



A4M01115 (x2) | 12 FOOT RIDGE CAP 29 GA



A4M01127 (x1) | RIDGE CAP SPLICE



127 (x1)  
RIDGE CAP SPLICE

115 (x2)  
12 FOOT RIDGE CAP 29 GA

**SLIDE EACH RIDGE CAP INTO THE RIDGE CAP SPLICE UNTIL CENTERED.**

# STEP 23 - GAZEBO ASSEMBLY

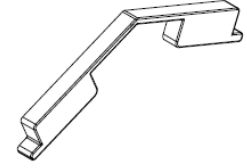
QTY	PART NUMBER	DESCRIPTION
20	H100833	SCREW WOODGRIP 10-16x3/4"



**J60** | RIDGE CAP STIFFENER - W4L17392  
(x2) | 1"x2 3/8"x60 7/8" (24x60x1546)



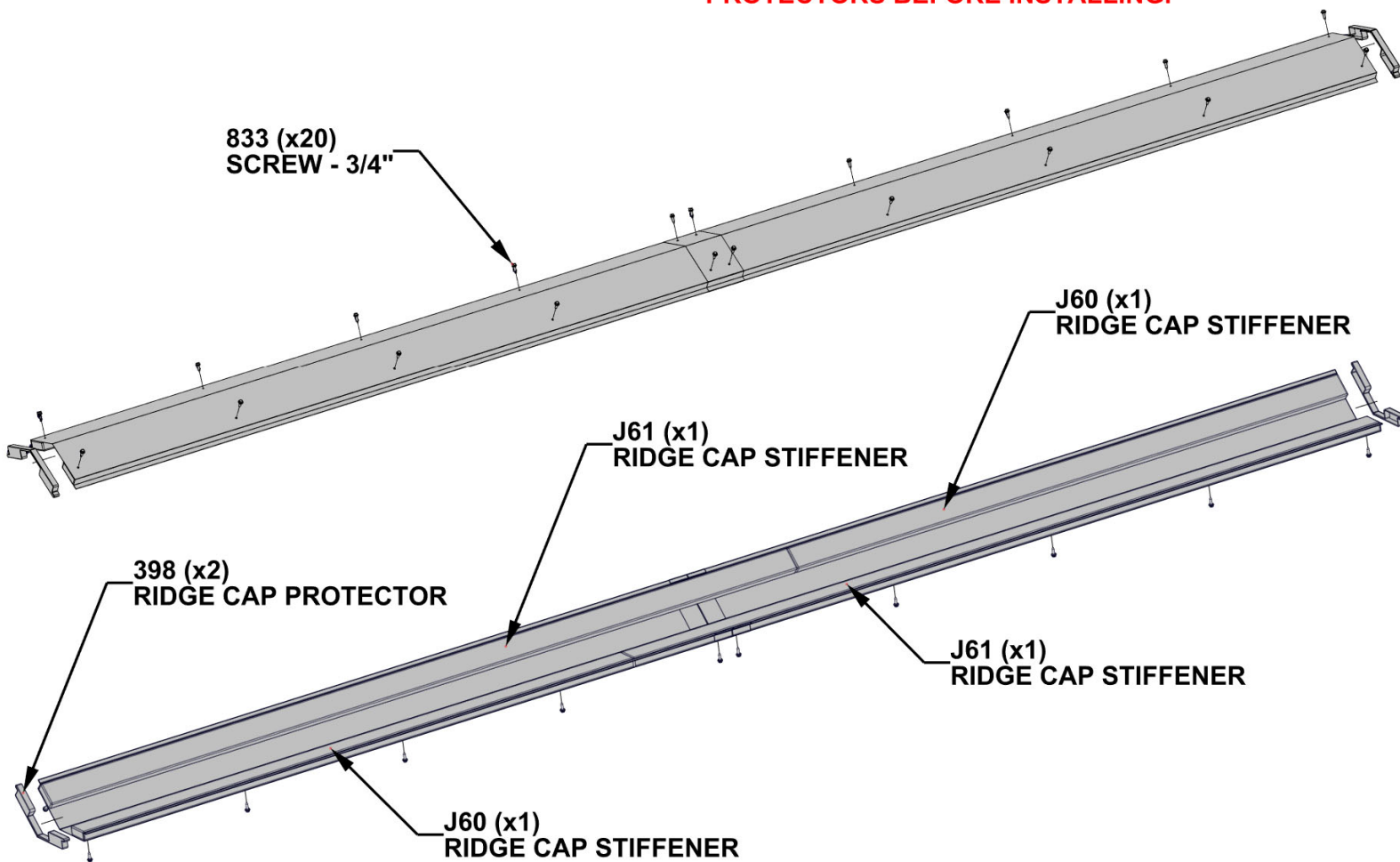
**J61** | RIDGE CAP STIFFENER - W4L17393  
(x2) | 1"x2 3/8"x82 1/2" (24x60x2096)



**A6P00398** | RIDGE CAP PROTECTOR  
(x2)

**ASSEMBLE BY ALIGNING THE HOLES ON EACH RIDGE CAP TO THE HOLES IN THE RIDGE CAP SPLICE.**  
**FINAL LENGTH - 11'-11 1/2" [3646mm]**

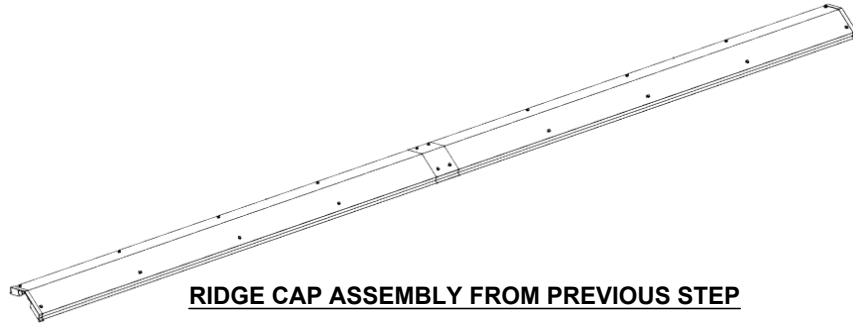
**REMOVE SPACERS FROM RIDGE CAP PROTECTORS BEFORE INSTALLING.**



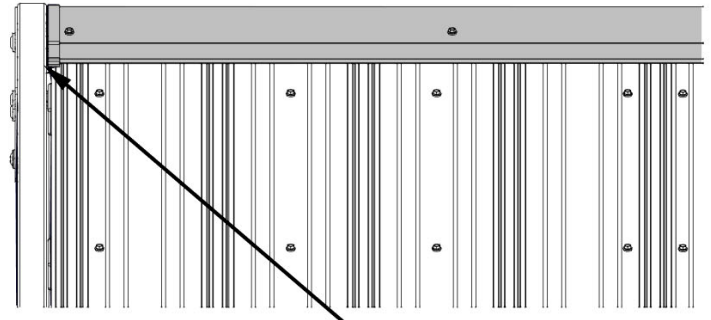
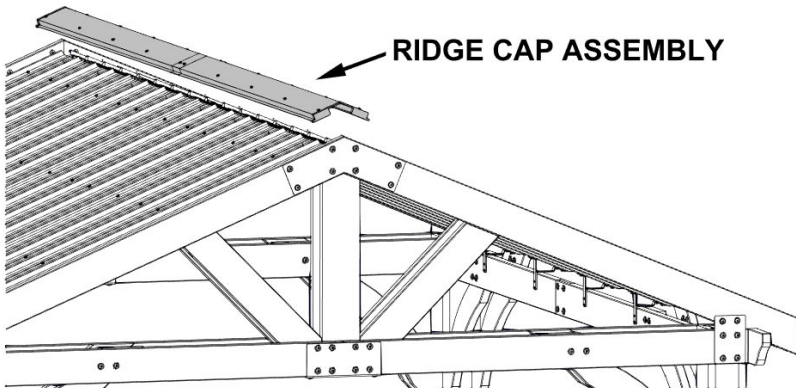
**RIDGE CAP MUST BE LIFTED FROM THE MIDDLE TO PREVENT DAMAGE BEFORE INSTALLATION.**

# STEP 24 - GAZEBO ASSEMBLY

QTY	PART NUMBER	DESCRIPTION
16	H100392	SCREW PWH 8x3/4 BLK

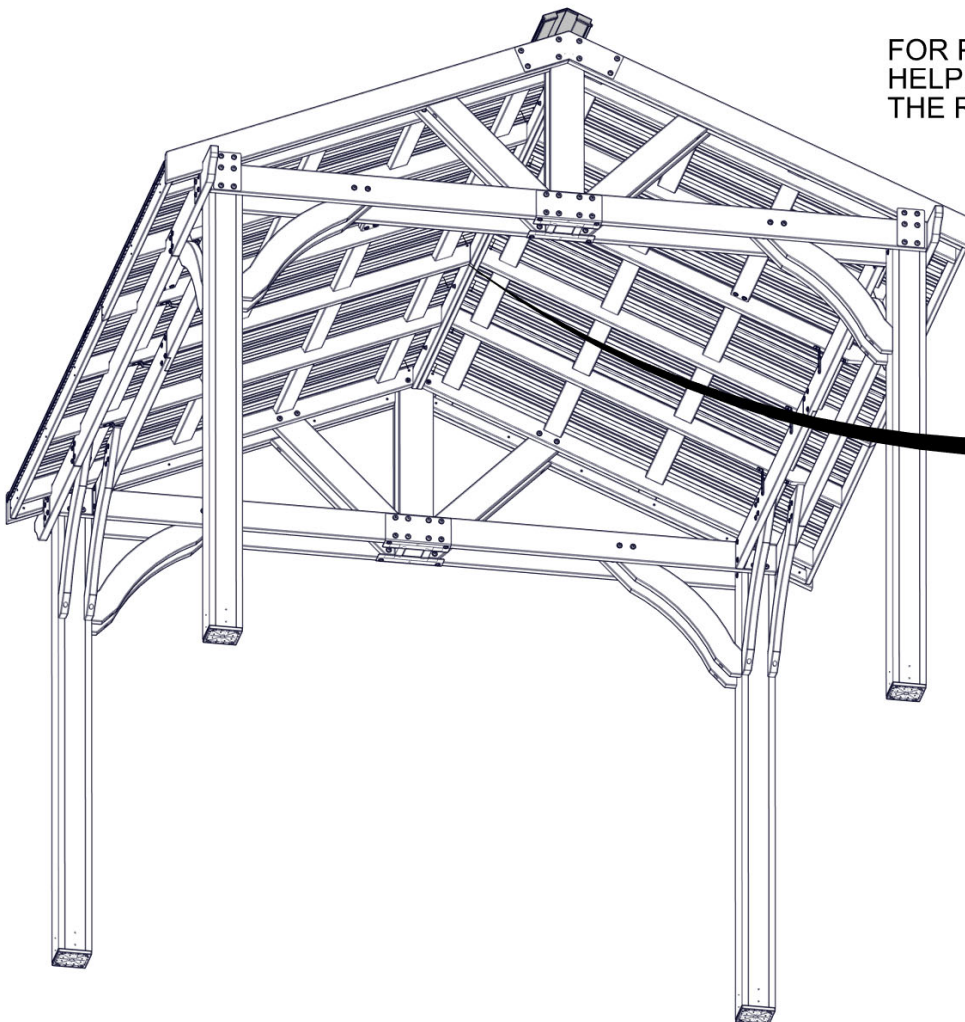


**DO NOT CLIMB ON ROOF TO INSTALL:  
ROOF CAP HAS BEEN DESIGNED TO  
INSTALL WITH THE USE OF A LADDER.**

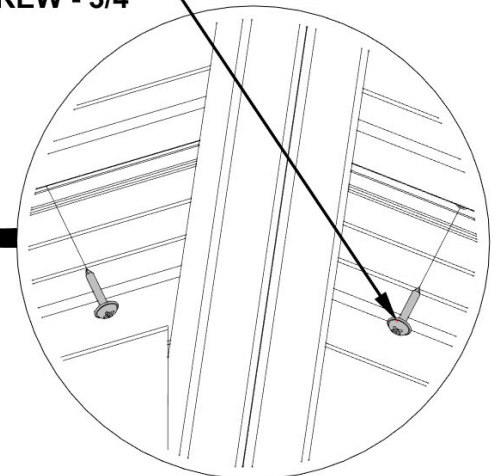


**USING AN ADULT HELPER, SLIDE RIDGE  
CAP ASSEMBLY ACROSS THE ROOF RIDGE  
UNTIL END IS AGAINST ROOF END TRIM.**

**FOR PROPER INSTALLATION, USE AN ADULT  
HELPER TO KEEP DOWNWARD PRESSURE ON  
THE RIDGE CAP WHILE SCREWING IN SCREWS.**



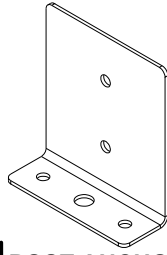
**392 (x16)  
SCREW - 3/4"**



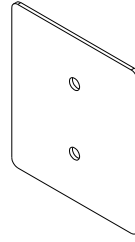
**INSTALL SCREWS THROUGH PILOT  
HOLES IN ROOF PANELS INTO  
RIDGE CAP STIFFENER BOARDS.**

# STEP 25 - GAZEBO ASSEMBLY

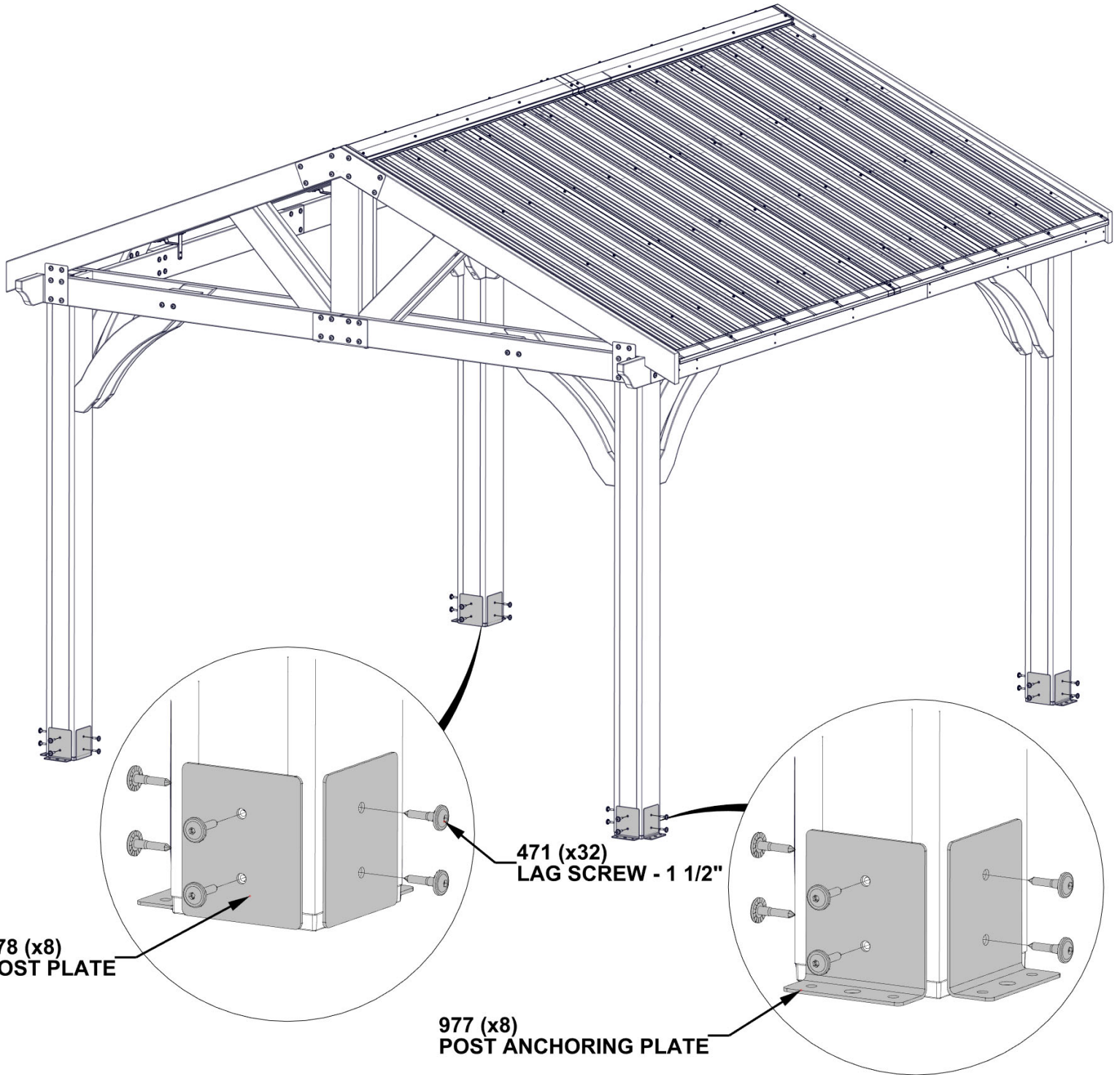
QTY	PART NUMBER	DESCRIPTION
32	H100471	LAG SCREW WH 5/16x1 1/2 BLK



**A4M00977**  
(x8) | **POST ANCHORING PLATE**



**A4M00978**  
(x8) | **POST PLATE**

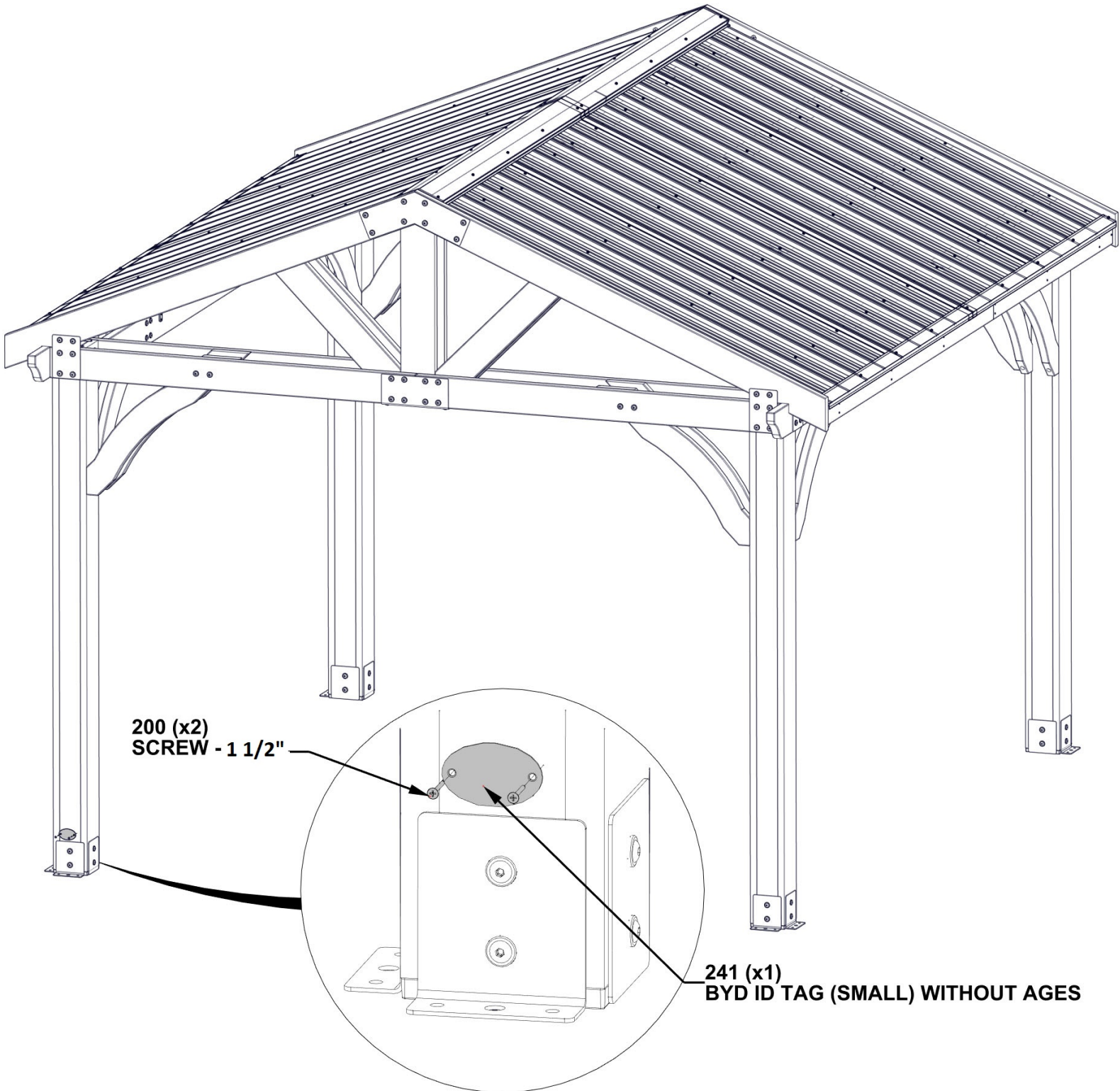


# STEP 26 - GAZEBO ASSEMBLY

QTY	PART NUMBER	DESCRIPTION
2	H100200	SCREW PFH 8x1 1/2 BLK



**A100241** | **BYD ID TAG (SMALL) WITHOUT AGES**  
*(x1)*

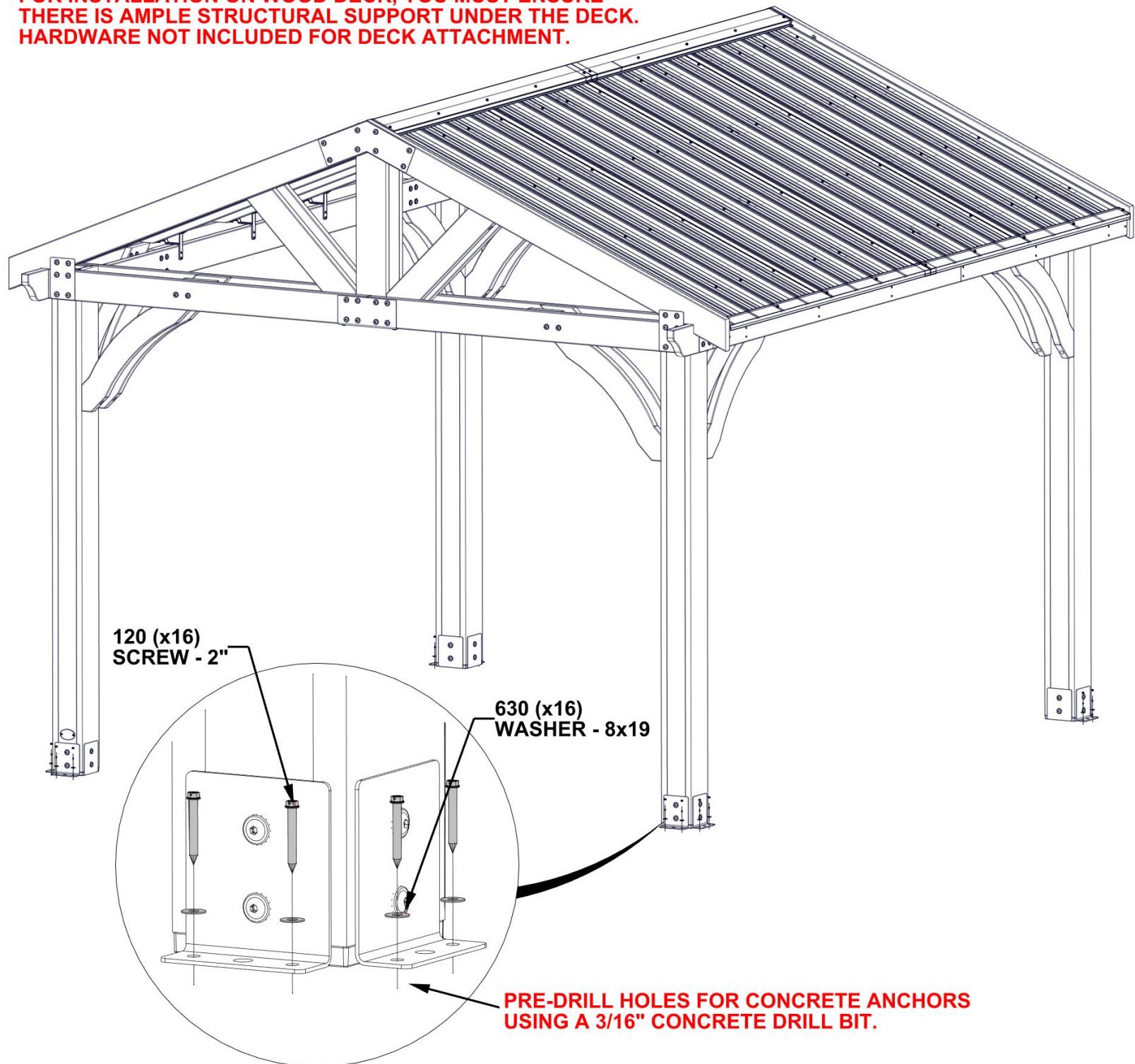


# STEP 27 - GAZEBO ASSEMBLY

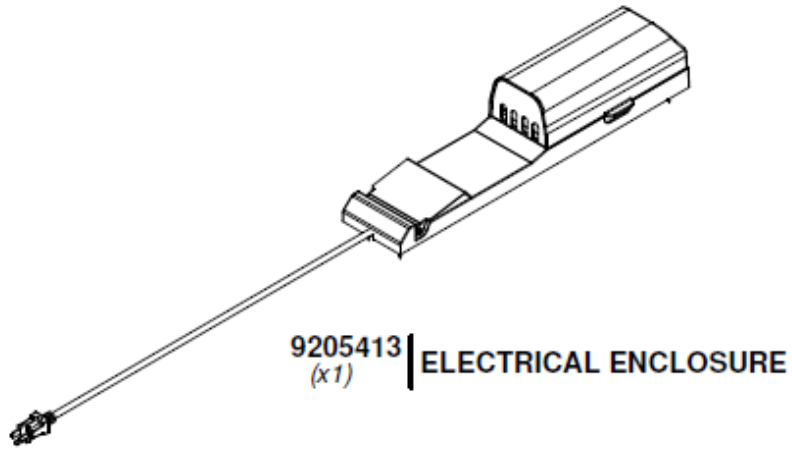
QTY	PART NUMBER	DESCRIPTION
16	H100120	SCREW CONCRETE ANCHOR
16	H100630	WASHER FLAT 8x19 BLK

**MANUFACTURER RECOMMENDS INSTALLATION ON CONCRETE SURFACE OR CONCRETE POST PAD AS SHOWN BELOW.**

**FOR INSTALLATION ON WOOD DECK, YOU MUST ENSURE THERE IS AMPLE STRUCTURAL SUPPORT UNDER THE DECK. HARDWARE NOT INCLUDED FOR DECK ATTACHMENT.**



## STEP 28 - ELECTRICAL ENCLOSURE



FOR ELECTRICAL ENCLOSURE INSTALLATION REFER TO ASSEMBLY INSTRUCTIONS THAT COMES PACKAGED WITH THE ELECTRICAL ENCLOSURE KIT. INSTALL ON ANY POST THAT IS DESIRED. FOLLOW DIRECTIONS FOR PROPER INSTALLATION.